

W4583501-4, W4583502-4, W4583516-4, W4583549-4 - Sevaun Widespread Faucet

Description

SEVAUN WIDESPREAD

- Ceramic disc cartridges
- Push style brass pop-up
- 1.2 GPM

Standards

- Complies with IAPMO UPC/cUPC
- California AB100 Complaint
- ADA Accessibility Guidelines for Buildings and Facilities - 427.4
- Controlled Mechanisms
- CALGreen compliant
- EPA WaterSense Certified by IAPMO R&T



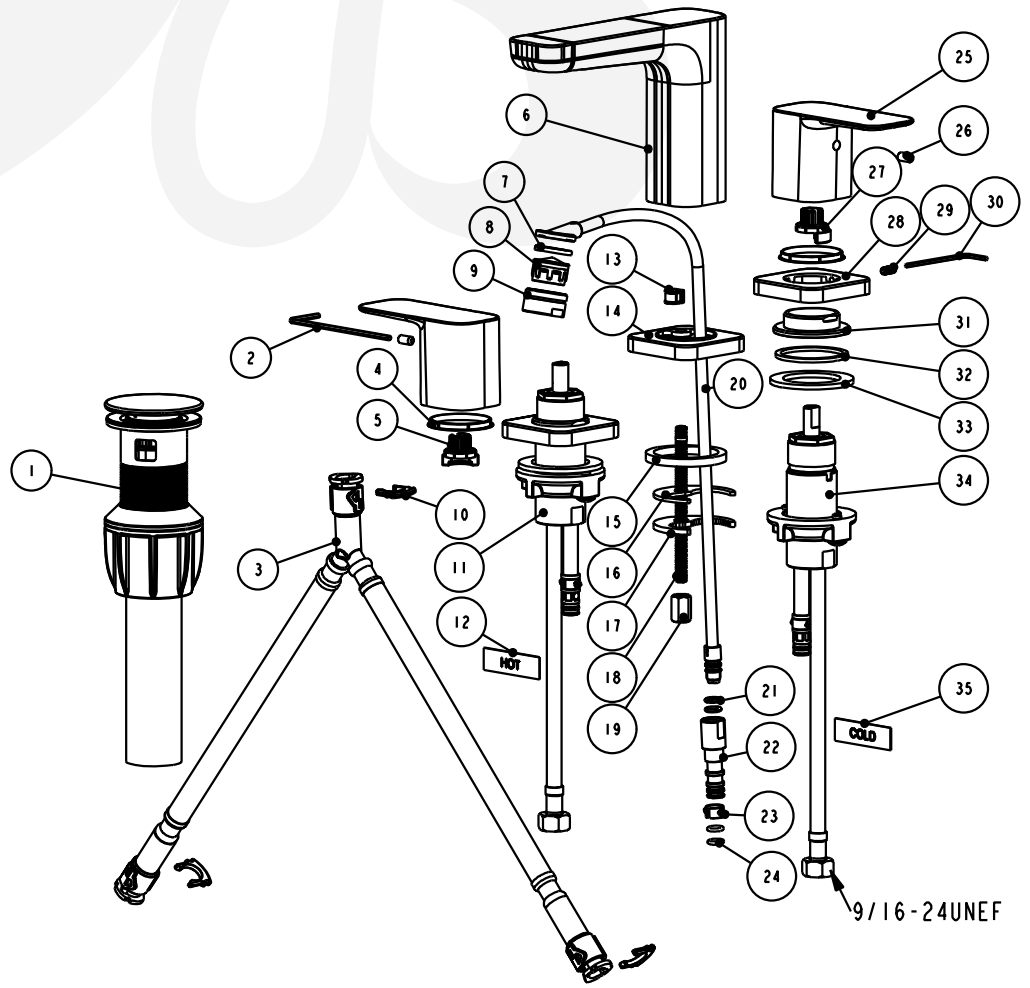
• W4583501-4

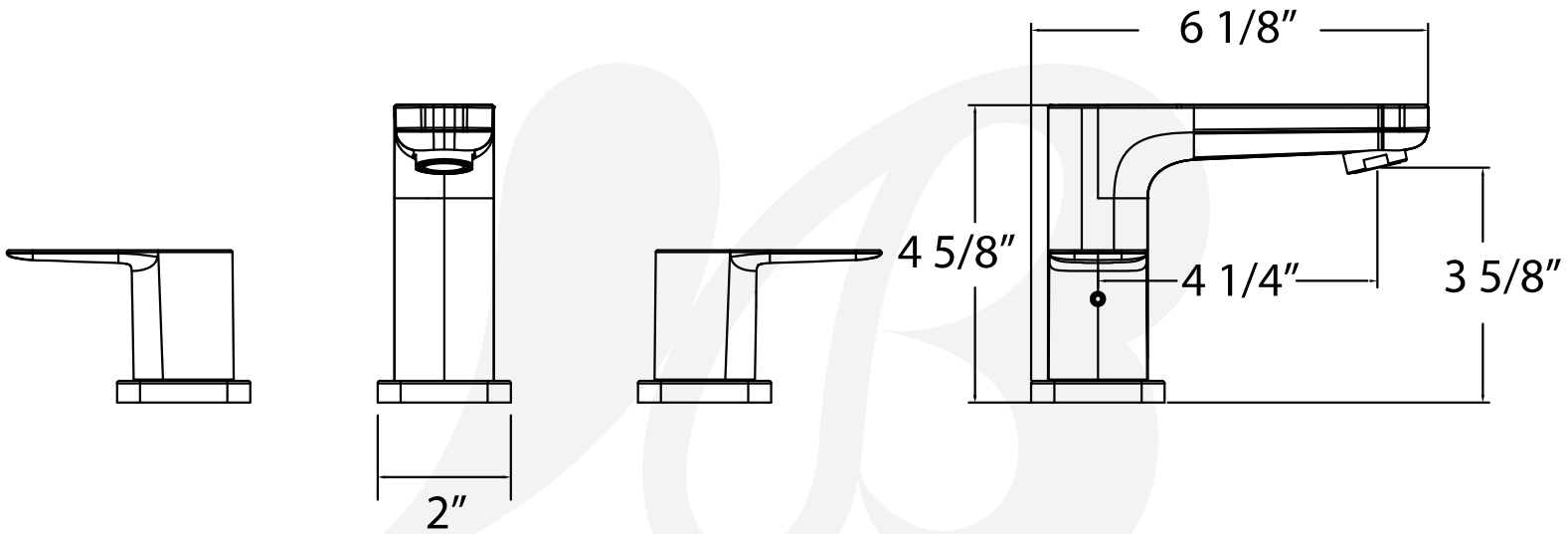
Colors / Finishes

- W4583501-4** - Chrome
- W4583502-4** - PVD Satin Nickel
- W4583516-4** - PVD Satin Brass
- W4583549-4** - Matte Black

BREAK DOWN
Component Parts List

35	CZL00059-00	COLD LABEL	1
34	ATBY0360	SHANK	1
33	CTWT0053	WASHER	2
32	CTWP0337	WASHER	2
31	CTML0012	ADAPTER	2
30	CCOT0004	HEXAGON WRENCH	1
29	CTST0313	SCREW	2
28	CTDZ0194	FLANGE	2
27	CTCP0427	CONNECTING BUSHING	1
26	CTST0269	SCREW	2
25	CTHZ0786	HANDLE	2
24	CTRR0066	O-RING	2
23	CTCP0485	CONNECTING BUSHING	1
22	CTMP0063	ADAPTER	1
21	CTRR0182	O-RING	2
20	ATBP0642	OUTLET	1
19	CTNB0321	NUT	1
18	CTST0013	SCREW	1
17	CTWT0104	PACKING	1
16	CTWP0058	WASHER	1
15	CTWP0291	WASHER	1
14	CTDZ0195	FLANGE	1
13	CTCP0666	C-RING	1
12	CZL00058-00	HOT LABEL	1
11	ATBY0359	SHANK	1
10	CTRP0102	C-RING	3
9	CTXB0053	AERATOR COVER	1
8	ATBX0119	AERATOR	1
7	CTWR0368	WASHER	1
6	CTFZ0042	SPOUT	1
5	CTCP0426	CONNECTING BUSHING	1
4	CTWP0232	PACKING	2
3	ATBP0384	HOSE	1
2	CTOT0014	HEXAGON WRENCH	1
1	ATAA0145	POP-UP DRAIN	1
NO.	Drawing No.	Part Description	QTY





Item Number	Type	Date
W4583501-4, W4583502-4, W4583516-4, W4583549-4	Widespread	2/27/2023