

**W4520601-22, W45206029-22 - Isabelle Widespread Faucet**

**Description**

- ISABELLE WIDESPREAD FAUCET**
- Ceramic disc cartridges
  - 1/2" NPS connections
  - 1.2 GPM
  - 50-50 Pop-up drain included



**W4520601-22**

**Standards**

- Complies with IAPMO UPC/cUPC
- California AB100 Complaint
- ADA Accessibility Guidelines for Buildings and Facilities - 427.4 Controlled Mechanisms
- CALGreen compliant
- EPA WaterSense Certified by IAPMO R&T

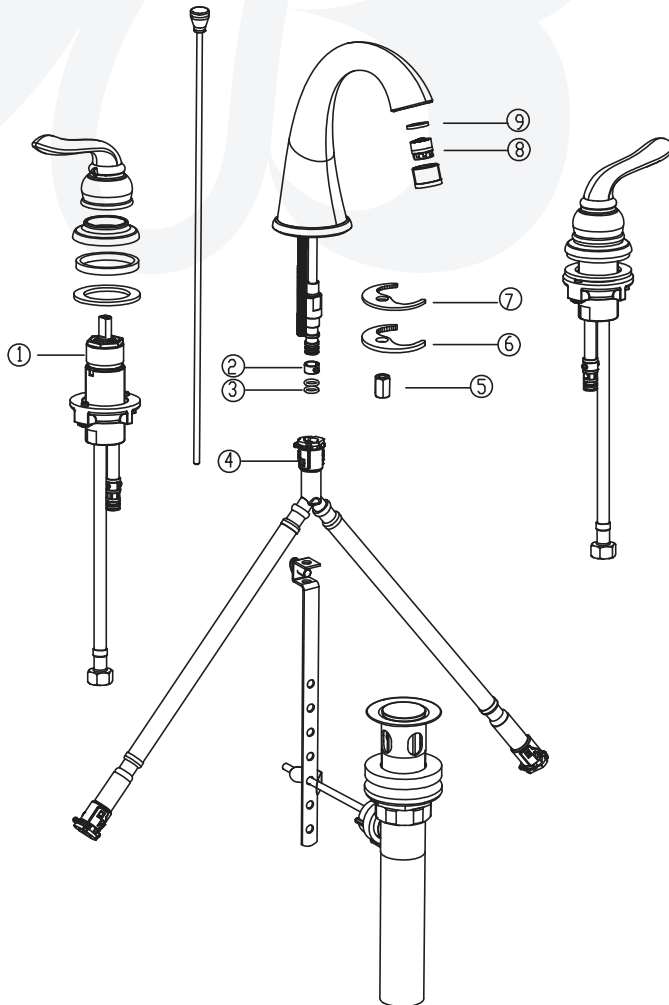


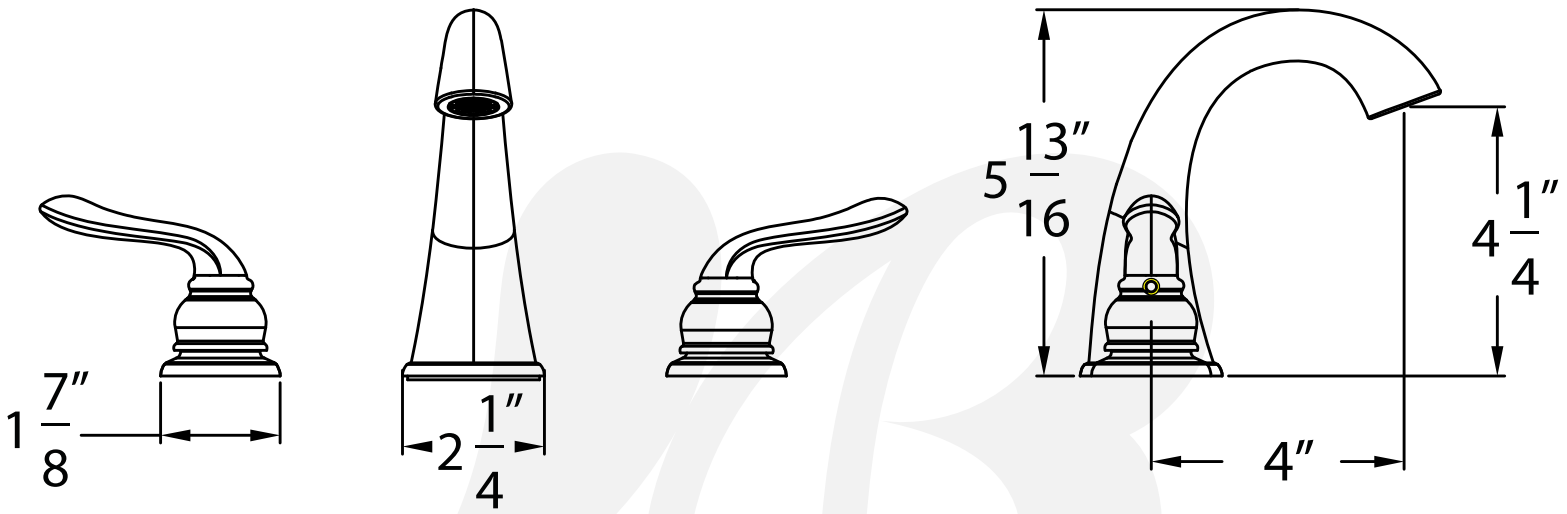
**Colors / Finishes**

- W4520601-22** Chrome
- W4520629-22** Satin Nickel

**BREAK DOWN  
Component Parts List**

NO.	Description	Qty
1	CARTRIDGE	1
2	CLIP	1
3	O-RING	2
4	HOSE	1
5	NUT	1
6	WASHER	1
7	WASHER	1
8	AREATOR	1
9	WASHER	1





Item Number	Type	Date
W4520601-22, W4520629-22	Widespread Faucet	5-16-2023