

Center Set Faucet W4320601-12, W4320629-12

Description

ISABELLE CENTER SET FAUCET

- Ceramic disc cartridges
- 1/2" NPS connections
- 1.2 GPM• 50-50 Pop-up drain assembly included



W4320601-12

Standards

- Complies with IAPMO UPC/cUPC
- California AB100 Complaint
- ADA Accessibility Guidelines for Buildings and Facilities - 427.4 Controlled Mechanisms
- CALGreen compliant
- EPA WaterSense Certified by IAPMO R&T

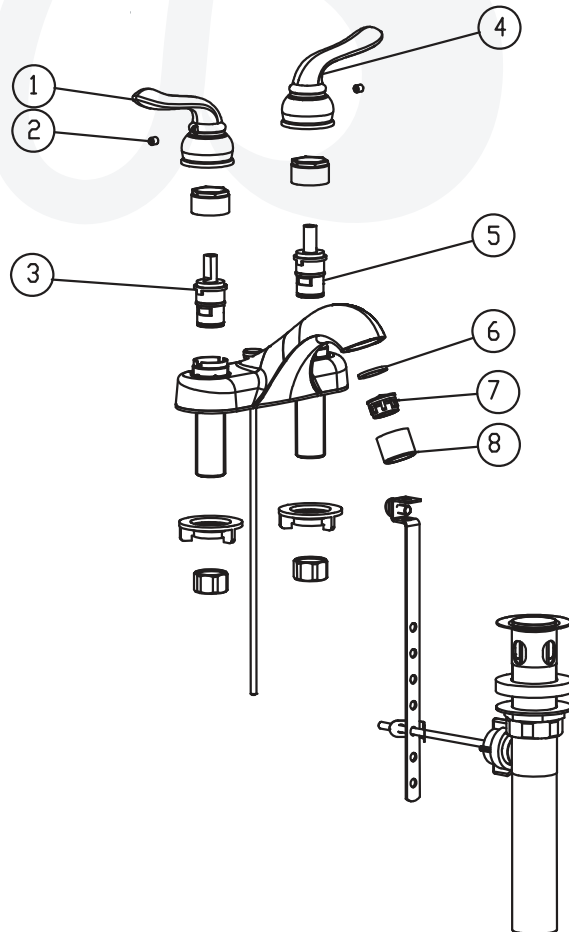


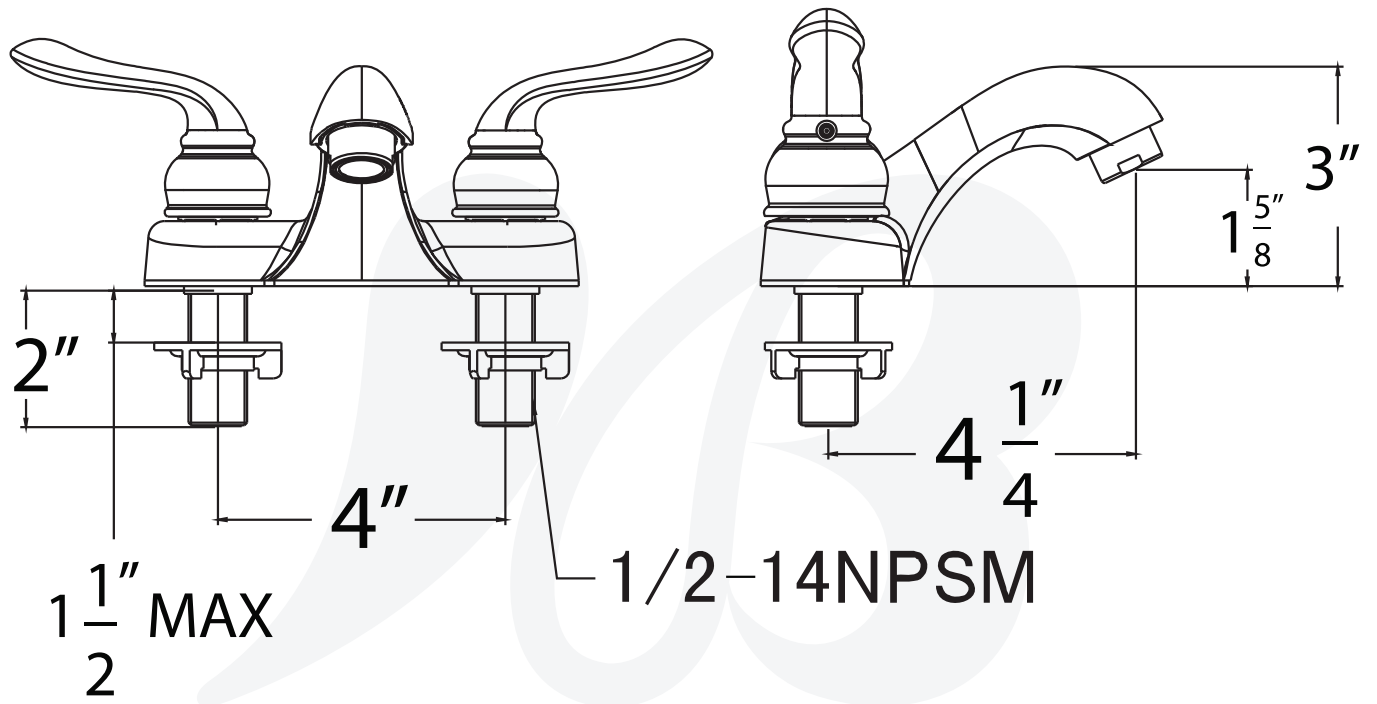
Colors / Finishes

- W4320601-12** Chrome
- W4320629-12** Satin Nickel

**BREAK DOWN
Component Parts List**

NO.	Description	Qty
1	HANDLE	1
2	SCREW	2
3	CARTRIDGE	1
4	HANDLE	1
5	CARTRIDGE	1
6	WASHER	1
7	AERATOR	1
8	AERATOR COVER	1





Item Number	Type	Date
W4320601-12, W4320629-12	Center Set	4/10/2023