

**W4283501-4, W4283502-4, W4283516-4, W4283549-4 - Sevaun Center Set Faucet**

Description

**SEVAUN CENTER SET**

- Lever handles
- Washerless cartridges
- Push style brass pop-up
- 1.2 GPM

Standards

- Complies with IAPMO UPC/cUPC
- California AB100 Complaint
- ADA Accessibility Guidelines for Buildings and Facilities - 427.4
- Controlled Mechanisms
- CALGreen compliant
- EPA WaterSense Certified by IAPMO R&T



• W4283501-4

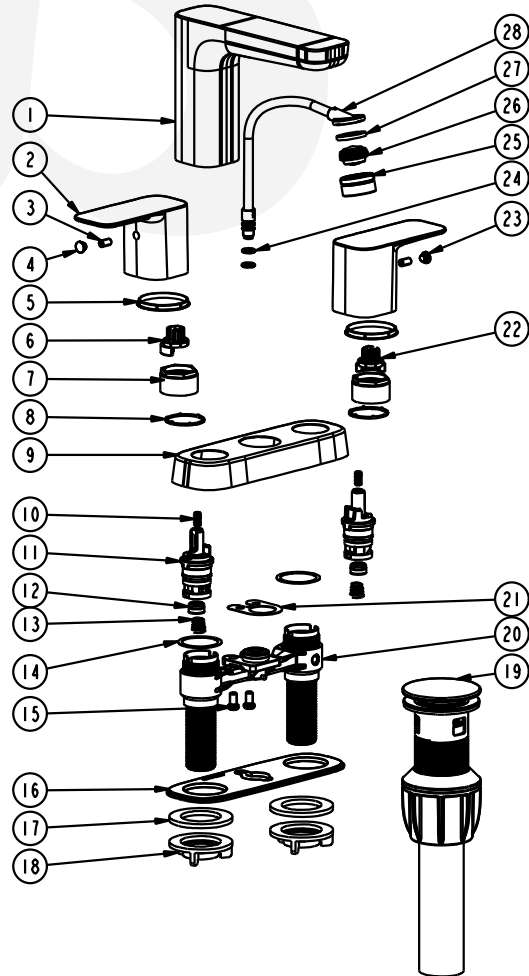
Colors / Finishes

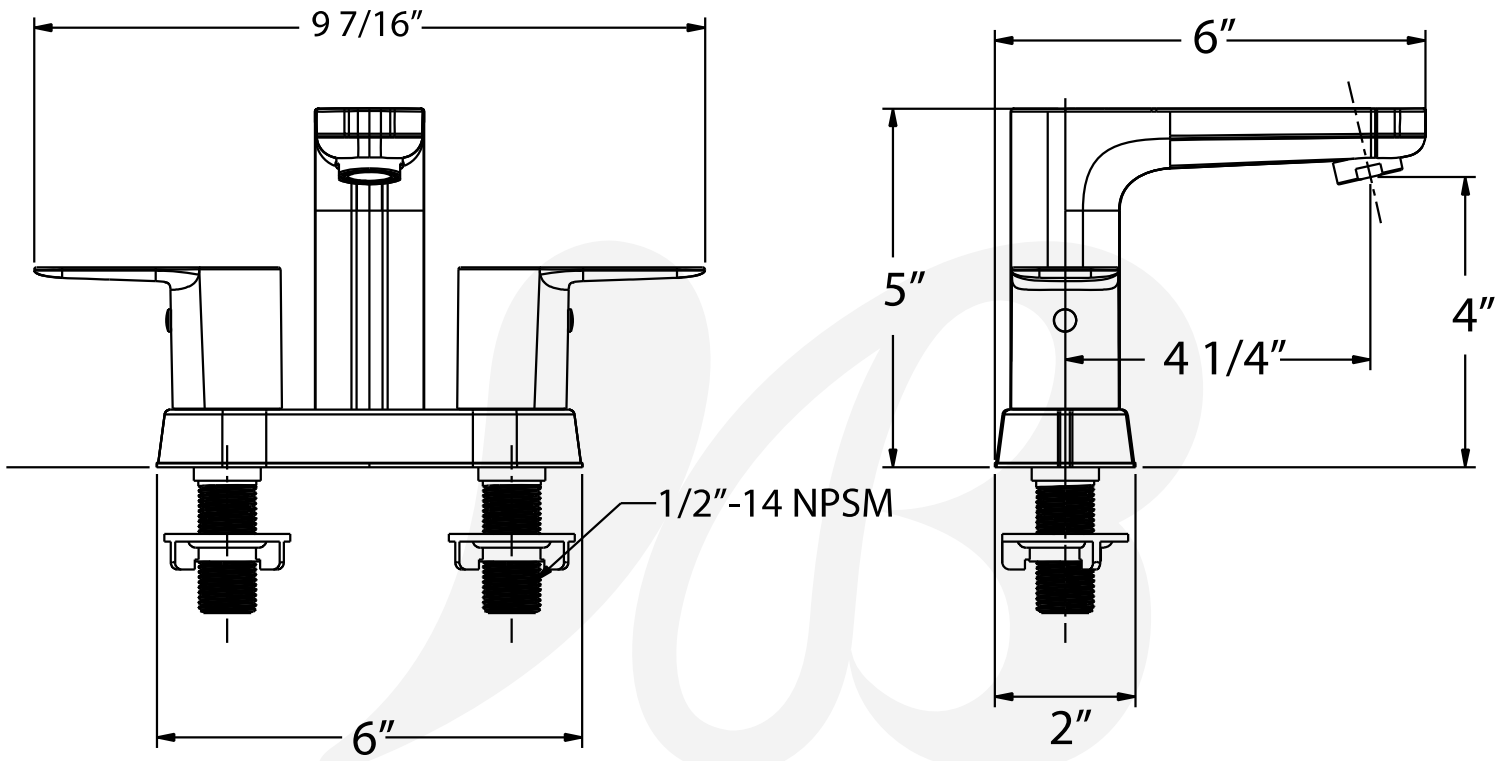
- W4283501-4** - Chrome
- W4283502-4** - PVD Satin Nickel
- W4283516-4** - PVD Satin Brass
- W4283549-4** - Matte Black

BREAK DOWN

Component Parts List

| 28  | ATBP0650    | OUTLET           | 1        |
|-----|-------------|------------------|----------|
| 27  | CTWR0368    | WASHER           | 1        |
| 26  | ATBX0087    | AERATOR          | 1        |
| 25  | CTCB1068    | COVER            | 1        |
| 24  | CTRR0182    | O-RING           | 2        |
| 23  | CTCP0587-XD | CAP              | 1        |
| 22  | CTCP0427    | ADAPTER          | 1        |
| 21  | CTWT0088    | WASHER           | 1        |
| 20  | ATBY0188    | BODY             | 1        |
| 19  | ATAA0145    | POP-UP           | 1        |
| 18  | CTNP0060    | NUT              | 2        |
| 17  | CTWR0217    | WASHER           | 2        |
| 16  | CTKP0186    | SCREW            | 1        |
| 15  | CTST0010    | SCREW            | 2        |
| 14  | CTWT0076    | WASHER           | 2        |
| 13  | CTBT0079    | SPRING           | 2        |
| 12  | CTWR0304    | WASHER           | 2        |
| 11  | ATBA0125    | CARTRIDGE        | 2        |
| 10  | CTST0151    | SCREW            | 2        |
| 9   | CTCT0171    | FACE PLATE       | 1        |
| 8   | CTWP0075    | WASHER           | 2        |
| 7   | CTNZ0004    | NUT              | 2        |
| 6   | CTCP0426    | ADAPTER          | 1        |
| 5   | CTWP0232    | WASHER           | 2        |
| 4   | CTCP0587-XR | CAP              | 1        |
| 3   | CTST0269    | SCREW            | 2        |
| 2   | CTHZ0786    | HANDLE           | 2        |
| 1   | CTFZ0044    | SPOUT            | 1        |
| NO. | Drawing No. | Part Description | Quantity |





| Item Number                                    | Type       | Date      |
|--|------------|-----------|
| W4283501-4, W4283502-4, W4283516-4, W4283549-4 | Center Set | 2/27/2023 |