

Center Set Faucet W4220501-4, W4220529-4

Description

ISABELLE CENTER SET FAUCET

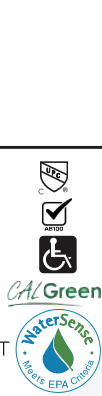
- Washerless cartridges
- 1/2" NPS connections
- 1.2 GPM
- Push style pop-up drain included

W4220501-4



Standards

- Complies with IAPMO UPC/cUPC
- California AB100 Complaint
- ADA Accessibility Guidelines for Buildings and Facilities - 427.4
- Controlled Mechanisms
- CALGreen compliant
- EPA WaterSense Certified by IAPMO R&T



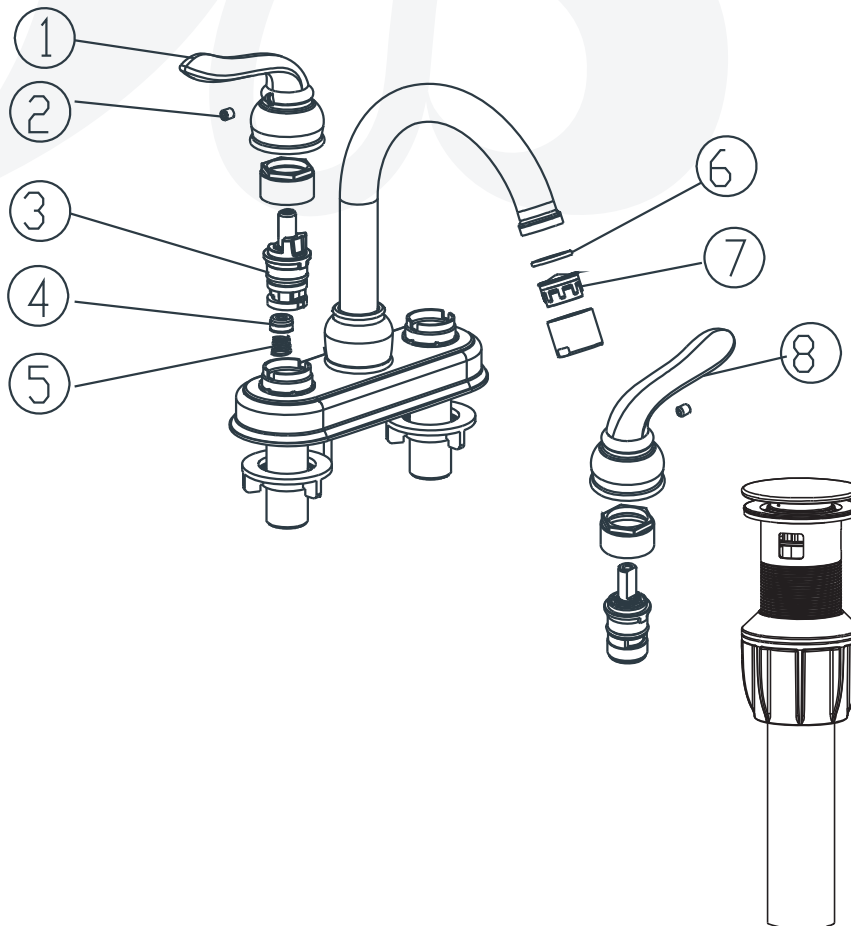
Colors / Finishes

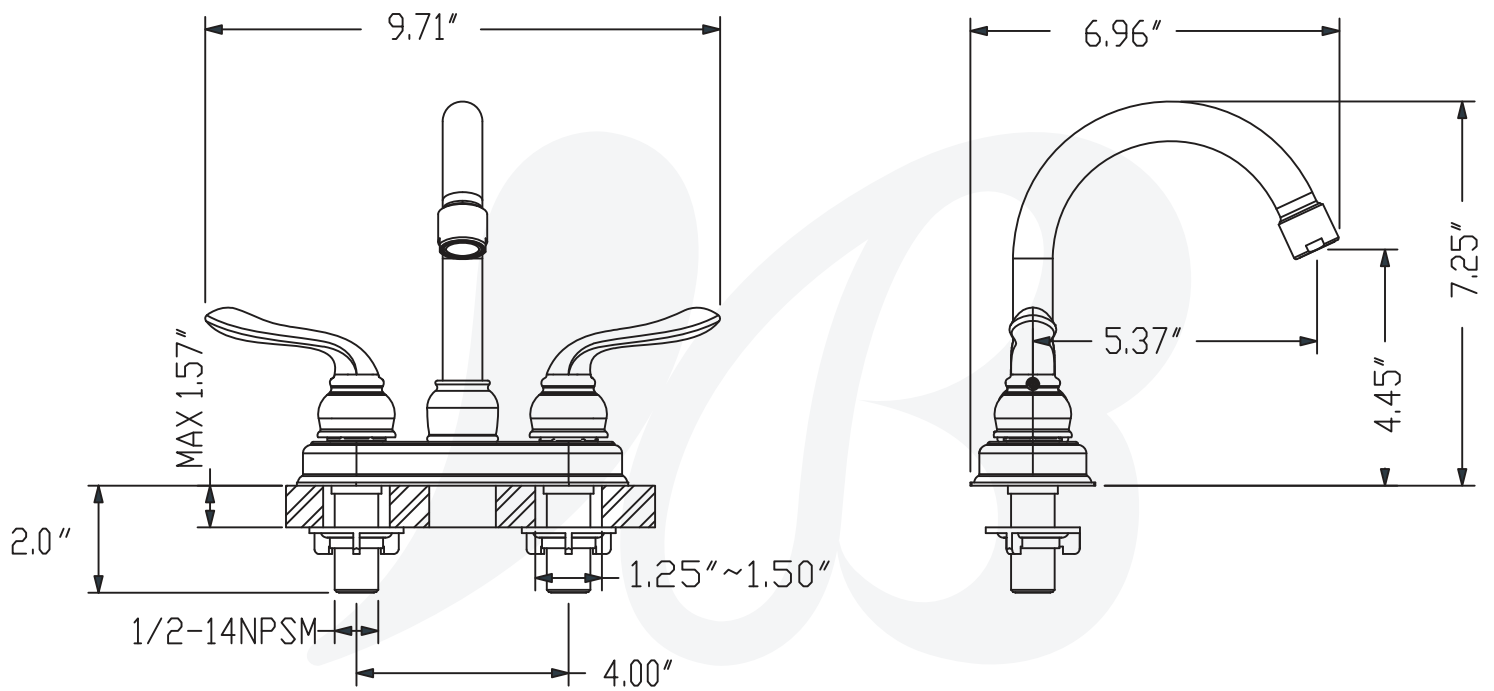
W4220501-4 Chrome

W4220529-4 Satin Nickel

**BREAK DOWN
Component Parts List**

NO.	Description	Qty
1	HANDLE	1
2	SCREW	2
3	CARTRIDGE	2
4	WASHER	2
5	SPRING	2
6	WASHER	1
7	AERATOR	1
8	HANDLE	1





ItemNumber	Type	Date
W4220501-4, W4220529-4	Center Set	4/10/2024