

Center Set Faucet W3380001-32, W3380029-32

Description

RELIAFLO CENTER SET

- Ceramic disc cartridge
- Braided hoses with 3/8" compression nuts
- 1.2 GPM
- 50-50 Pop-up drain included

W3380001-32



Standards

- Complies with IAPMO UPC/cUPC
- California AB100 Complaint
- ADA Accessibility Guidelines for Buildings and Facilities - 427.4 Controlled Mechanisms
- CALGreen compliant
- EPA WaterSense Certified by IAPMO R&T

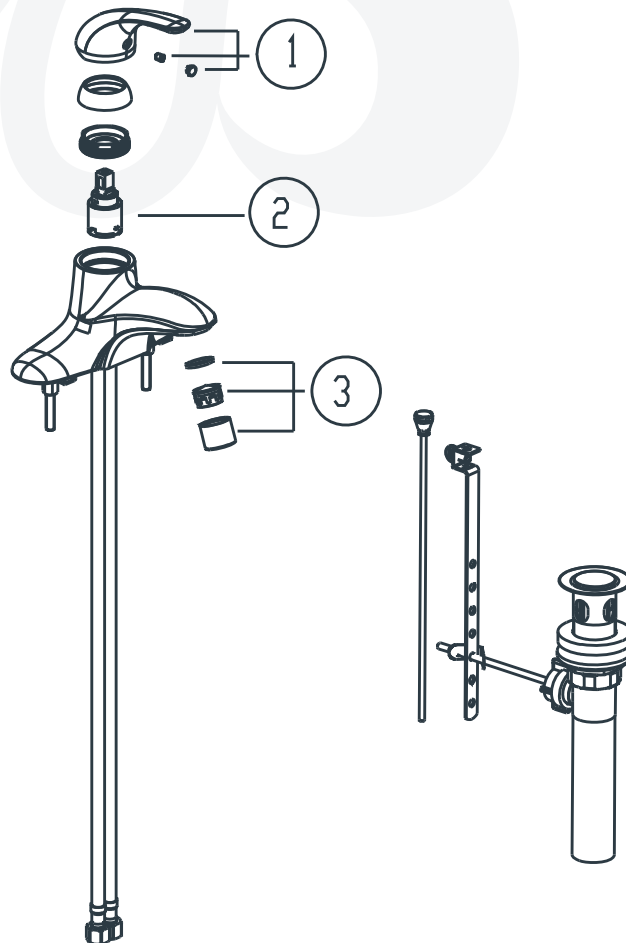


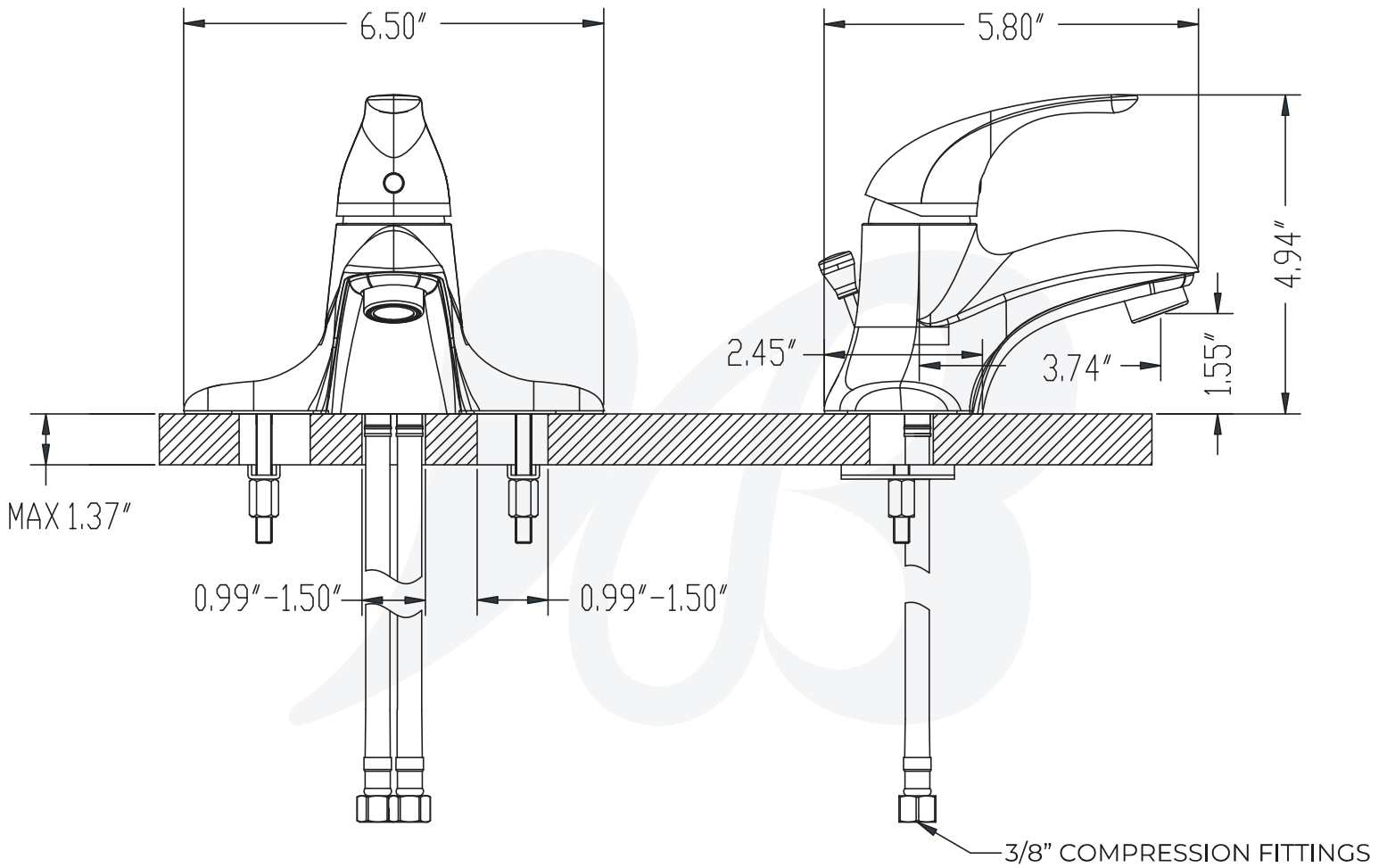
Colors / Finishes

- W3380001-32** Chrome
- W3380029-32** Satin Nickel

**BREAK DOWN
Component Parts List**

NO.	Description	Qty
1	HANDLE	1
2	CARTRIDGE	1
3	AERATOR	1





ItemNumber	Type	Date
W3380001-32, W3380029-32	Center Set	4/10/2023