

W3183501-4, W3183502-4, W3183516-4, W3183549-4 - Sevaun Single Control Faucet

Description

SEVAUN SINGLE CONTROL

- One piece body
- Ceramic disc cartridge
- Push style brass pop-up
- 1.2 GPM

- Deck plate included

Standards

- Complies with IAPMO UPC/cUPC
- California AB100 Complaint
- ADA Accessibility Guidelines for Buildings and Facilities - 427.4 Controlled Mechanisms
- CALGreen compliant
- EPA WaterSense Certified by IAPMO R&T



• W3183501-4

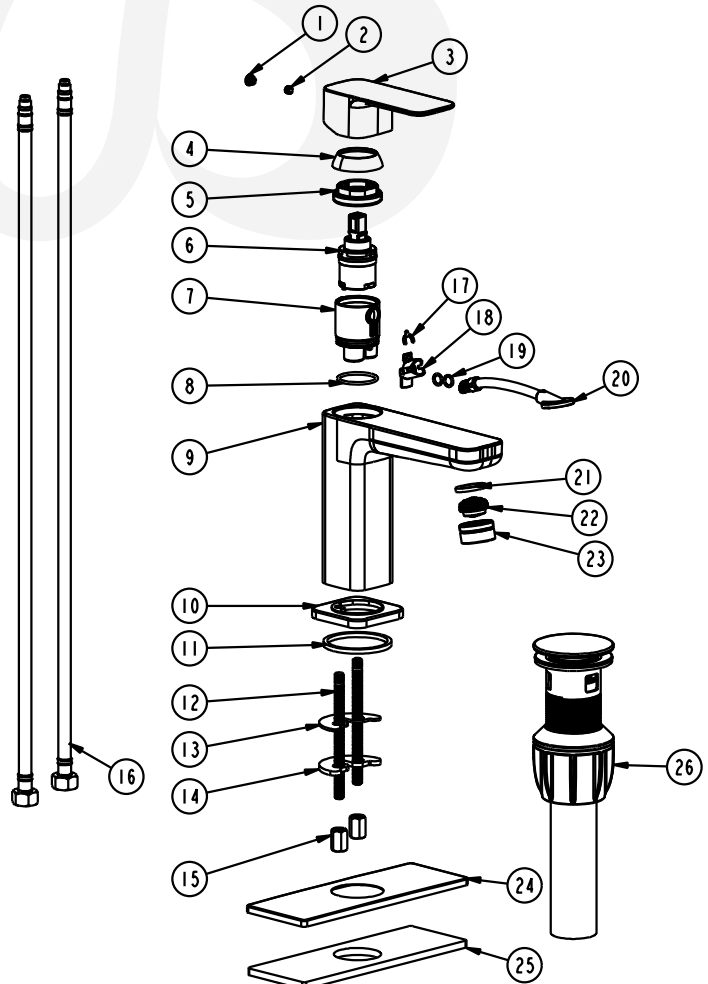
Colors / Finishes

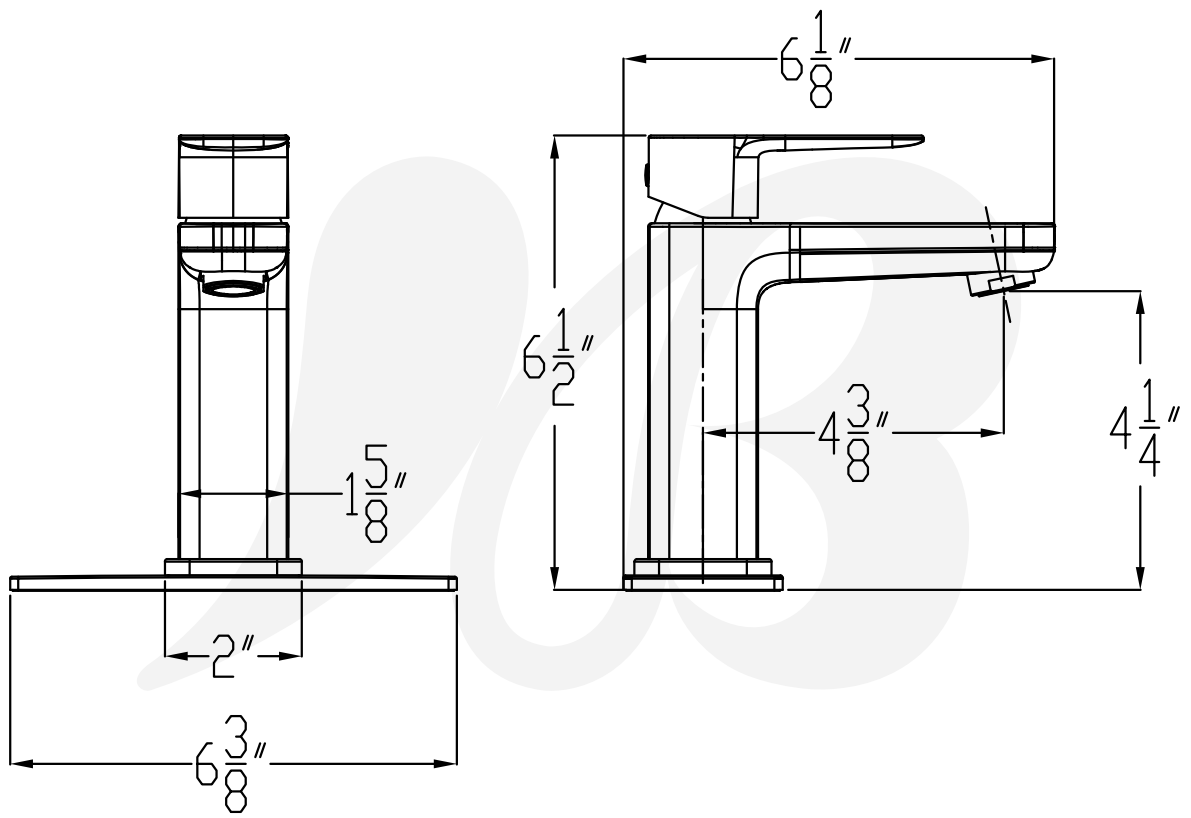
- W3183501-4** Chrome
- W3183502-4** PVD Satin Nickel
- W3183516-4** PVD Satin Brass
- W3183549-4** Matte Black

BREAK DOWN

Component Parts List

26	ATAA0145	POP-UP	1
25	CTWP0348	WASHER	1
24	CTCT0167	PLATE	1
23	CTCB1068	AERATOR HOUSING	1
22	ATBX0087	AERATOR	1
21	CTWR0368	WASHER	1
20	ATBP0643	TUBE	1
19	CTRR0282	O RING	2
18	CTCP0690	CONNECTOR	1
17	CTKT0079	CLIP	1
16	ATBP0622	HOSE	2
15	CTNB0321	NUT	2
14	CTWT0103	GASKET	1
13	CTWR0028	WASHER	1
12	CTST0013	SCREW	2
11	CTWR0019	WASHER	1
10	CTDZ0193	SEAT	1
9	CTYZ0055	BODY	1
8	CTRR0274	O RING	1
7	ATBD0174	BASE SEAT	1
6	ATBA0423	CARTRIDGE	1
5	CTKP0185	LOCK PLATE	1
4	CTCP0330	COVER	1
3	CTHZ0787	HANDLE	1
2	CTST0084	SCREW	1
1	CTCP0072	CAP	1
Item	Part Number	Description	QTY





Item Number	Type	Date
W3183501-4, W3183502-4, W3183516-4, W3183549-4	Single Control	2/27/2023