

P6683701, P6683702, P6683716, P6683749 - Thermostatic Shower Trim

Description

THERMOSTATIC SHOWER PACKAGE

- 8" ABS rain shower head
- Multi setting hand shower
- Swivel hand shower wall bracket
- Face plate with button & handle assembly
- 59" Shower hose

This package includes:

- Shower arm
- Thermostatic trim
- Wall bracket
- Supply elbow
- Rain shower head
- Hand shower
- Hose

- **No Substitutions Allowed**
- **Rough in valve not included**

Standards

- Complies with IAPMO UPC/cUPC
- ADA Accessibility Guidelines for Buildings and Facilities - 427.4 Controlled Mechanisms



Colors / Finishes

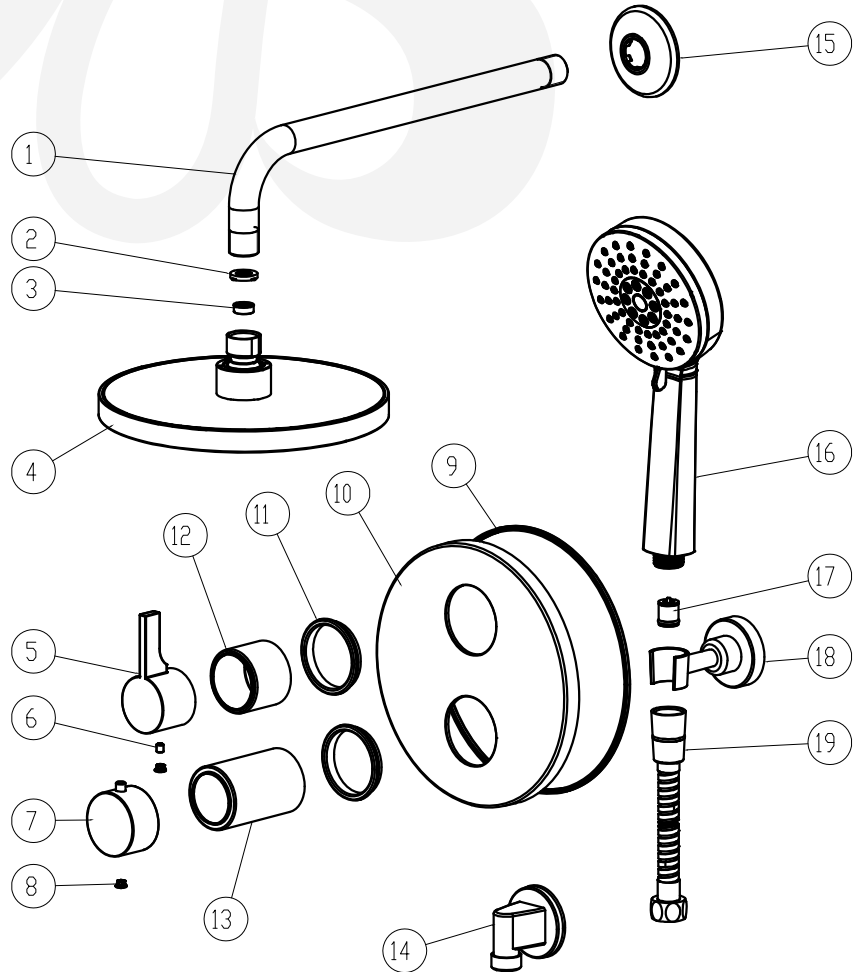
- P6683701** Chrome
- P6683702** PVD Satin Nickel
- P6683716** PVD Satin Brass
- P6683749** Matte Black

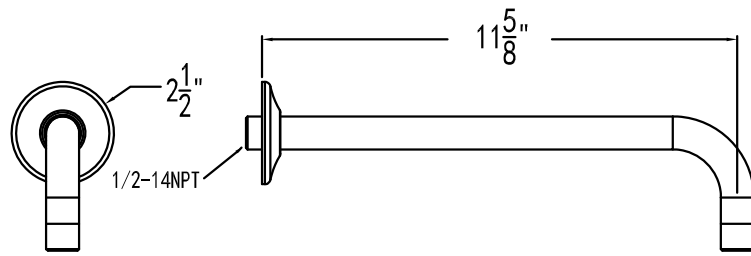
• P6683701



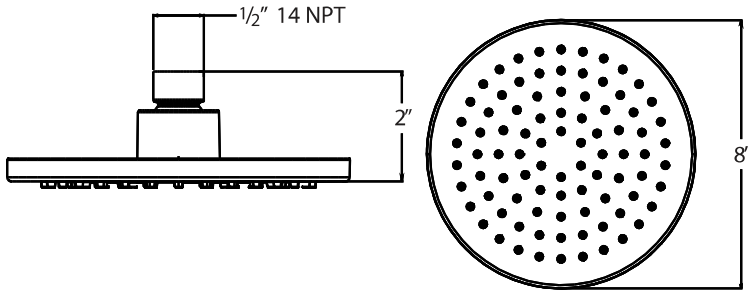
BREAK DOWN
Component Parts List

19	ATBP0412	HOSE	1
18	ATBQ1037	HAND SHOWER HOLDER	1
17	ATBA0313	CHECKSTOP	1
16	ATBE0377	SHOWER	1
15	CTCT0070	COVER	1
14	ATBQ0998	ADAPTER	1
13	CTCB0858	COVER	1
12	CTCB0905	COVER	1
11	CTCP0523	SEAL	2
10	CTCB0883	FACE PLATE	1
9	CTWP0069	SEAL	1
8	CTCP0072	CAP	2
7	ATBH0207-11A	HANDLE	1
6	CTST0117	SCREW	1
5	CTHB0342	HANDLE	1
4	ATBE0313	SHOWER	1
3	ATBA0281	RESTRICTOR	1
2	CTWR0430	WASHER	1
1	CTPT0081	SHOWER ARM	1
NO.	Drawing No.	Part Description	Quantity

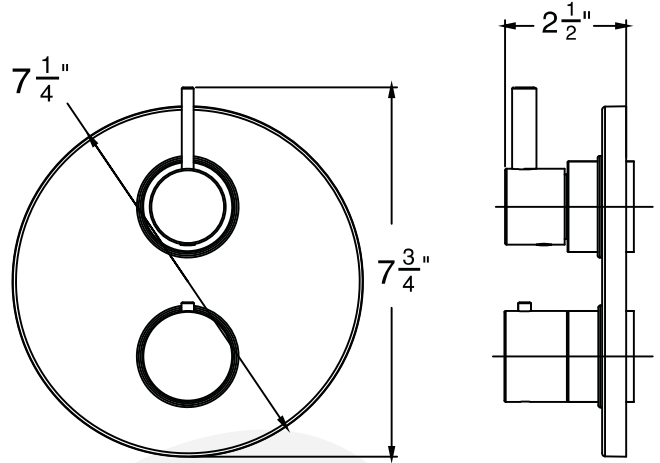




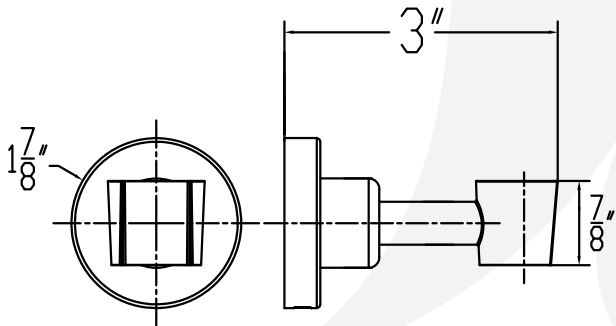
Shower Arm



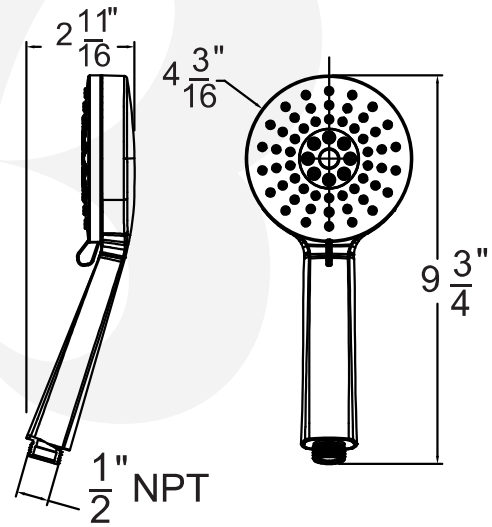
Shower Head



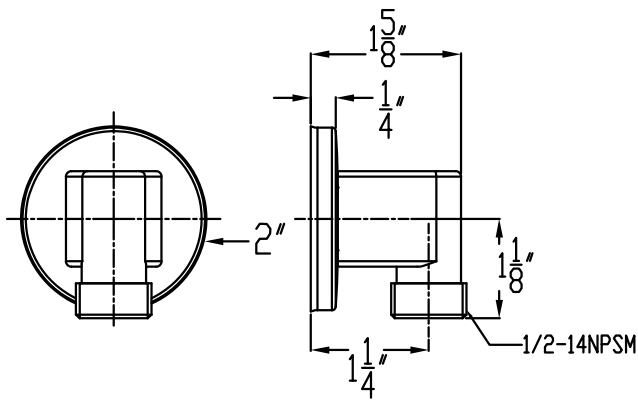
Valve Trim



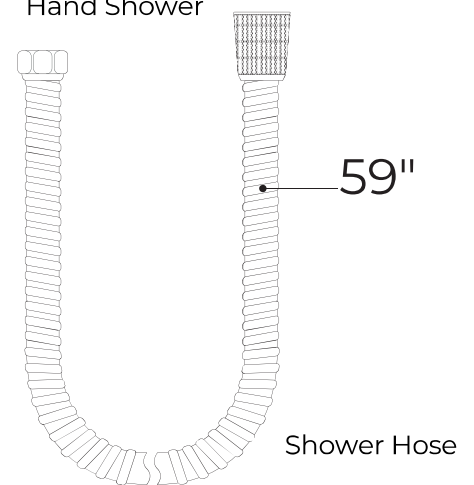
Hand shower Holder



Hand Shower



Supply Elbow



Shower Hose

Item Number	Type	Date
P6683701, P6683702, P6683716, P6683749	Shower Trim	5/24/2023