

**P6182701-1, P6182702-1, P6182716-1, P6182749-1 - SHOWER PACKAGE**

Description

**DAVENPORT SHOWER TRIM**

- Metal lever handle
- 6" Face rain shower head
- Square style face plate- 8" Shower arm
- 8" Shower arm
- 1.5 GPM shower head

This shower package includes:

- Shower arm
- Shower head
- Valve trim

VALVE SOLD SEPARATELY



• P6182701-1

Standards

- Complies with IAPMO UPC/cUPC
- ADA Accessibility Guidelines for Buildings and Facilities - 427.4 Controlled Mechanisms

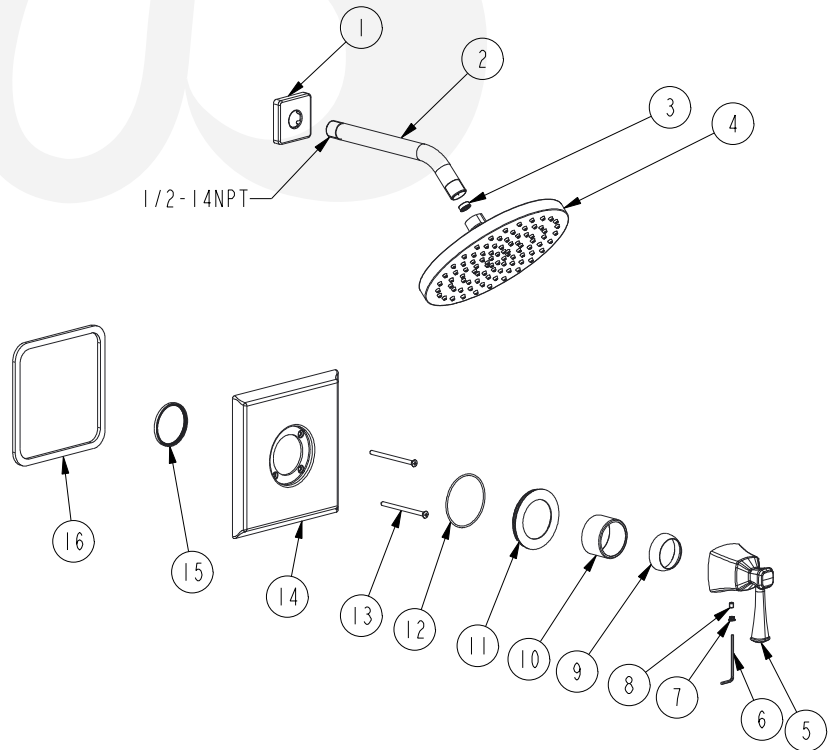


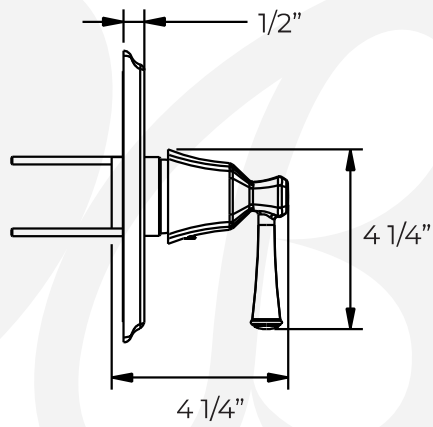
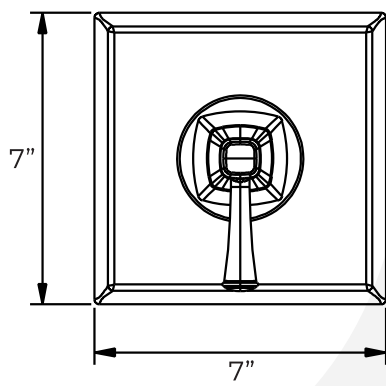
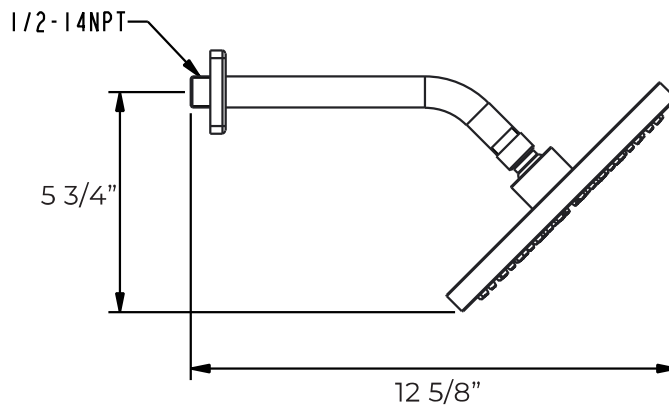
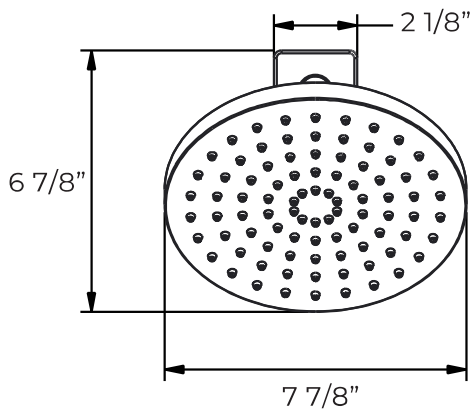
Colors / Finishes

- P6182701-1** Chrome
- P6182702-1** PVD Satin Nickel
- P6182716-1** PVD Satin Brass
- P6182749-1** Matte Black

**BREAK DOWN**  
Component Parts List

16	CTWR0426	WASHER	1
15	CTRR0123	BUTTON	1
14	CTCB0534	FACE PLATE	1
13	CTST0230	SET SCREW	2
12	CTRR0113	Q-RING	1
11	CTCB0231	CAP	1
10	CTCB0670	CAP	1
9	CTCB0185	COVER	1
8	CTST0117	SCREW	1
7	CTCP0072	CAP	1
6	CCQT0002	WRENCH	1
5	CTHZ0747	HANDLE	1
4	ATBE0313	SHOWER	1
3	ATBA0203	RESTRICTOR	1
2	CTPT0051	SHOWER ARM	1
1	CTCT0112	CAP	1
NO.	Drawing No.	Part Description	Quantity





Item Number	Type	Date
P6182701-1, P6182702-1, P6182716-1, P6182749-1	Shower Trim	3/6/2023