

K1984801, K1984802, K1984816, K1984849 - Wall Mounted PotFiller

Description

WALL MOUNTED POT FILLER

- Traditional style
- Solid brass construction
- Dual shut off valves
- Easy installation design
- 2.5 GPM

Standards

- Complies with IAPMO UPC/cUPC
- California AB100 Complaint
- ADA Accessibility Guidelines for Buildings and Facilities - 4.27.4 Controlled Mechanisms



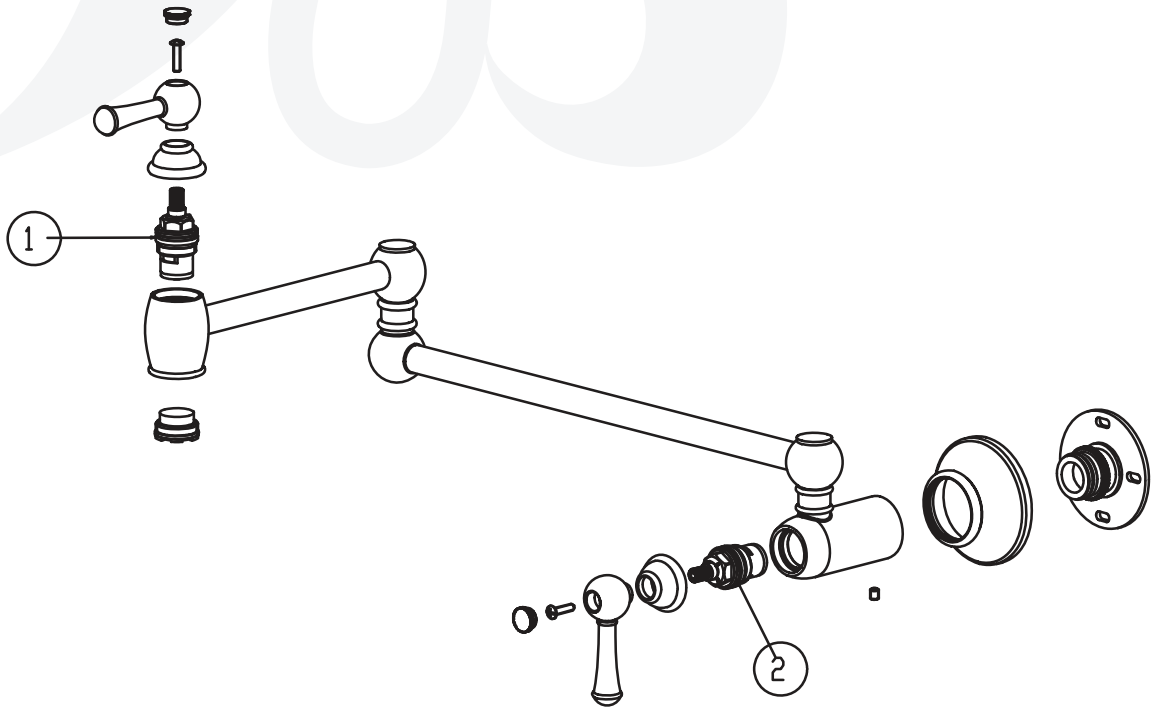
K1984802

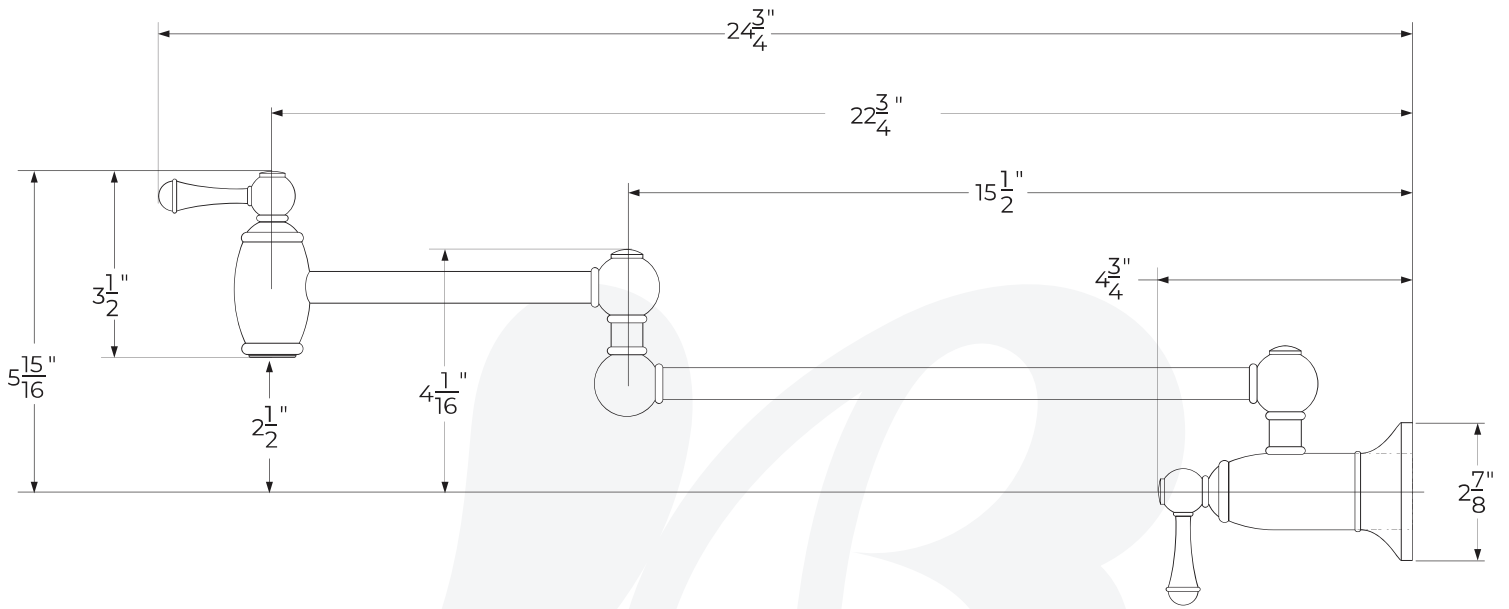
Colors / Finishes

- K1984801** Chrome
- K1984802** PVD Satin Nickel
- K1984816** PVD Satin Brass
- K1984849** Matte Black

BREAK DOWN

NO.	Description	Qty
01	CARTRIDGE-COLD	1
02	CARTRIDGE-HOT	1





Item Number	Type	Date
K1984801, K1984802, K1984816, K1984849	Wall Mount Pot Filler	5/14/2024