



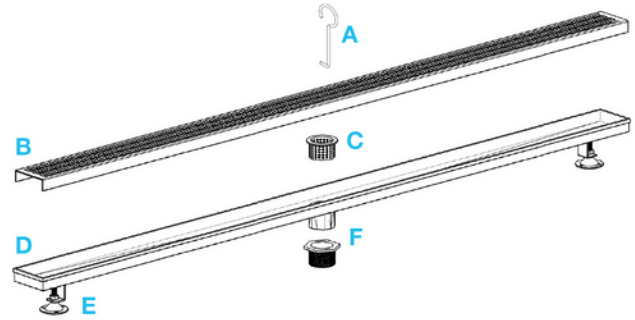
DelmarSeries PLAIN EDGE BASE

Standard Base | Traditional Waterproofing:

- Stainless Steel Gauges: Grates: 16 gauges. Base: 18 gauges = 1.2 mm
- Grate can be removed completely for cleaning.
- Works with 2" ABS, PVC or cast iron shower drain flange (not included)
- Standard Length plain edge is intended for use with traditional waterproofing methods.
- Grate can be removed completely for cleaning.
- Hair strainer basket comes with every drain, fits inside the drain to collect hair and other debris, preventing clogged pipes.

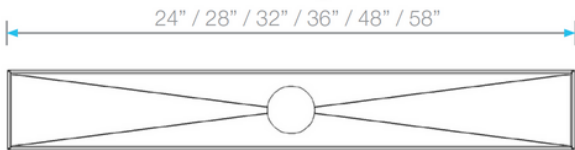
Kit Includes:

- A Lifting Key
- B Grate
- C Hair/Debris Strainer
- D Base
- E Leveling Legs
- F Threaded nipple



Specifications

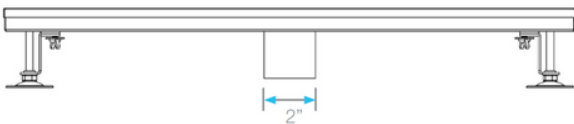
D Base - Top View



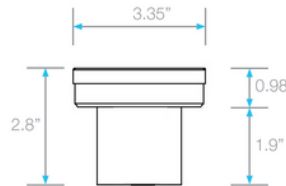
B Grate - Top View



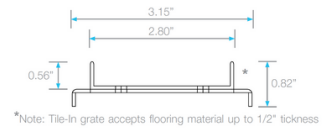
D Base - Side View



D Base - Side View



Grate - Side View



*Note: Tile-in grate accepts flooring material up to 1/2" thickness

Complete Kits

MIST (TILE-IN)



Satin	24"	33.500.24 ST	●
	28"	33.500.28 ST	●
	32"	33.500.32 ST	●
	36"	33.500.36 ST	●
	48"	33.500.48 ST	●
58"	33.500.58 ST	●	

Black	24"	33.500.24 BK	●
	28"	33.500.28 BK	●
	32"	33.500.32 BK	●
	36"	33.500.36 BK	●
	48"	33.500.48 BK	●
58"	33.500.58 BK	●	

Gold	24"	33.500.24 GD	●
	28"	33.500.28 GD	●
	32"	33.500.32 GD	●
	36"	33.500.36 GD	●
	48"	33.500.48 GD	●
58"	33.500.58 GD	●	

Bronze	24"	33.500.24 BZ	●
	28"	33.500.28 BZ	●
	32"	33.500.32 BZ	●
	36"	33.500.36 BZ	●
	48"	33.500.48 BZ	●
58"	33.500.58 BZ	●	