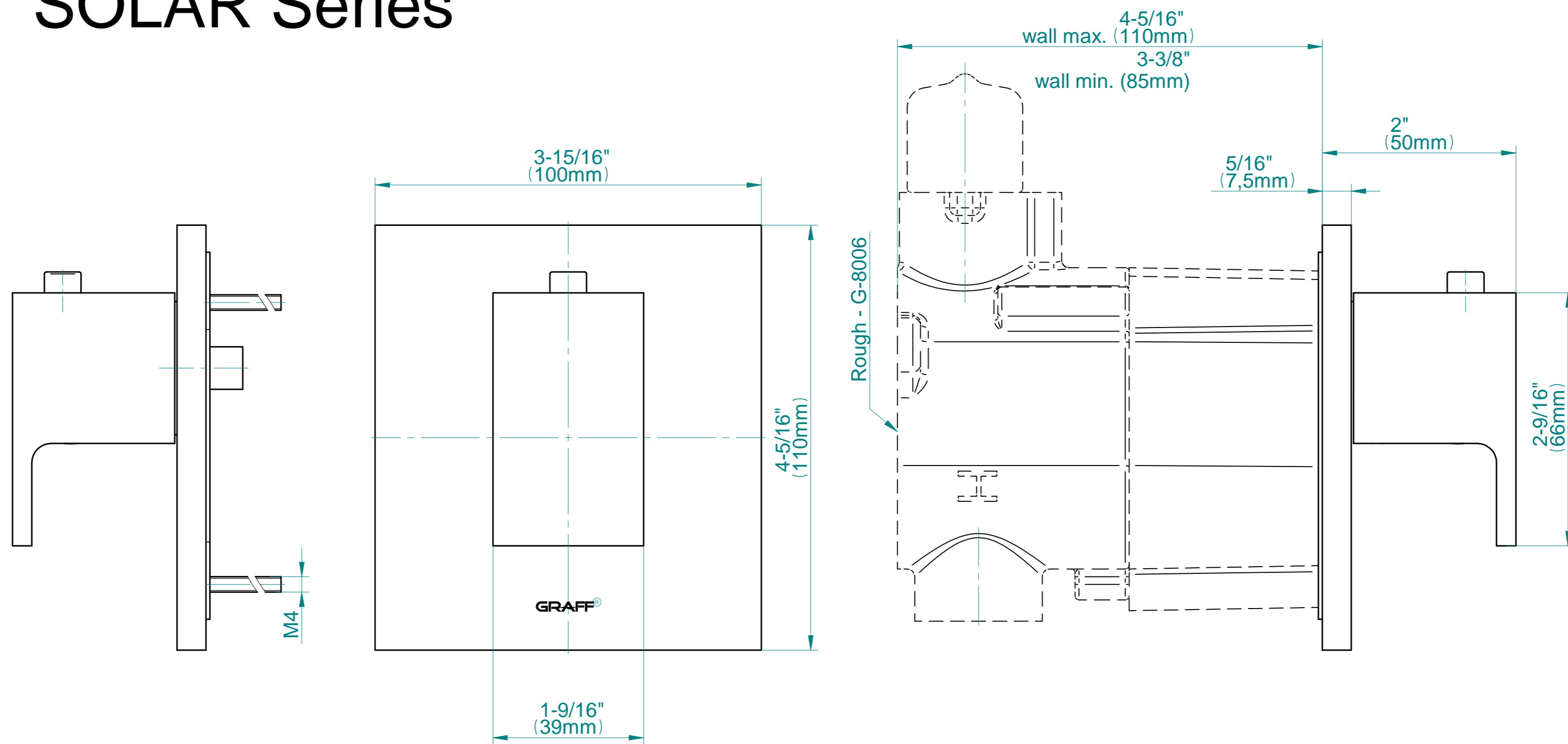


G-8043-LM31E-T

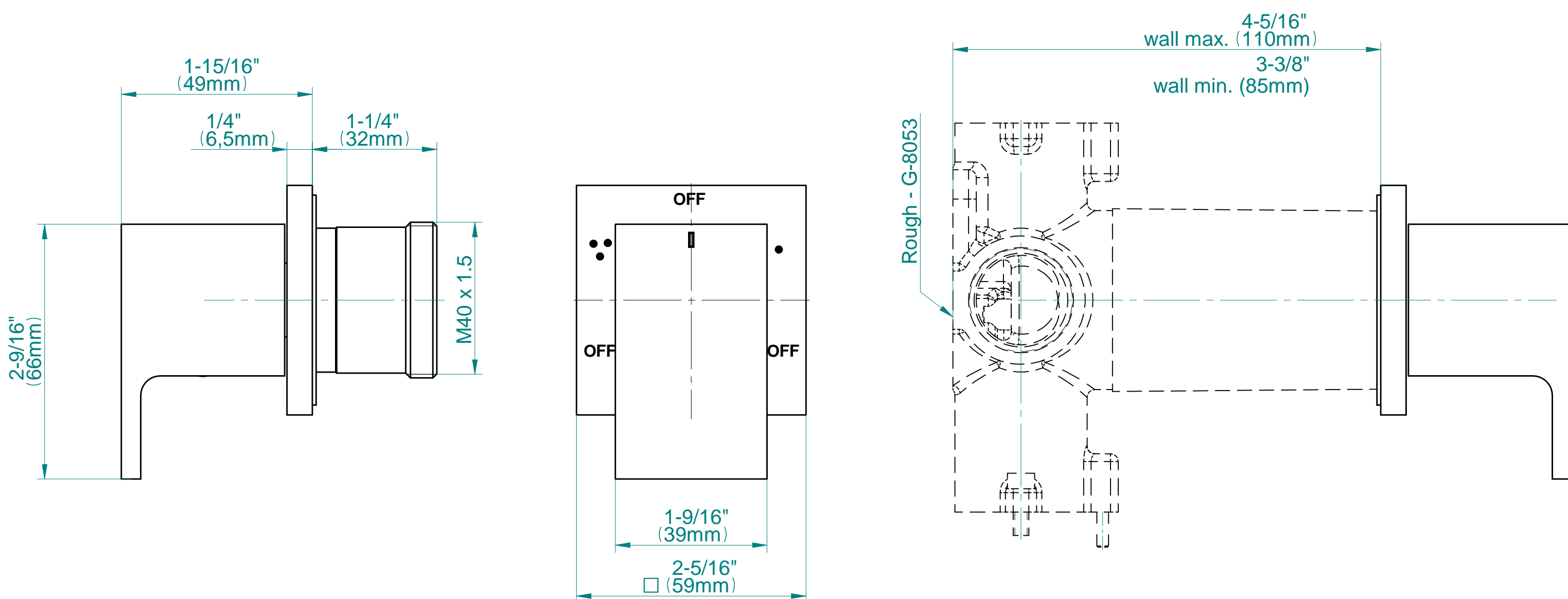
SOLAR Series



GRAFF[®]
Art of Bath

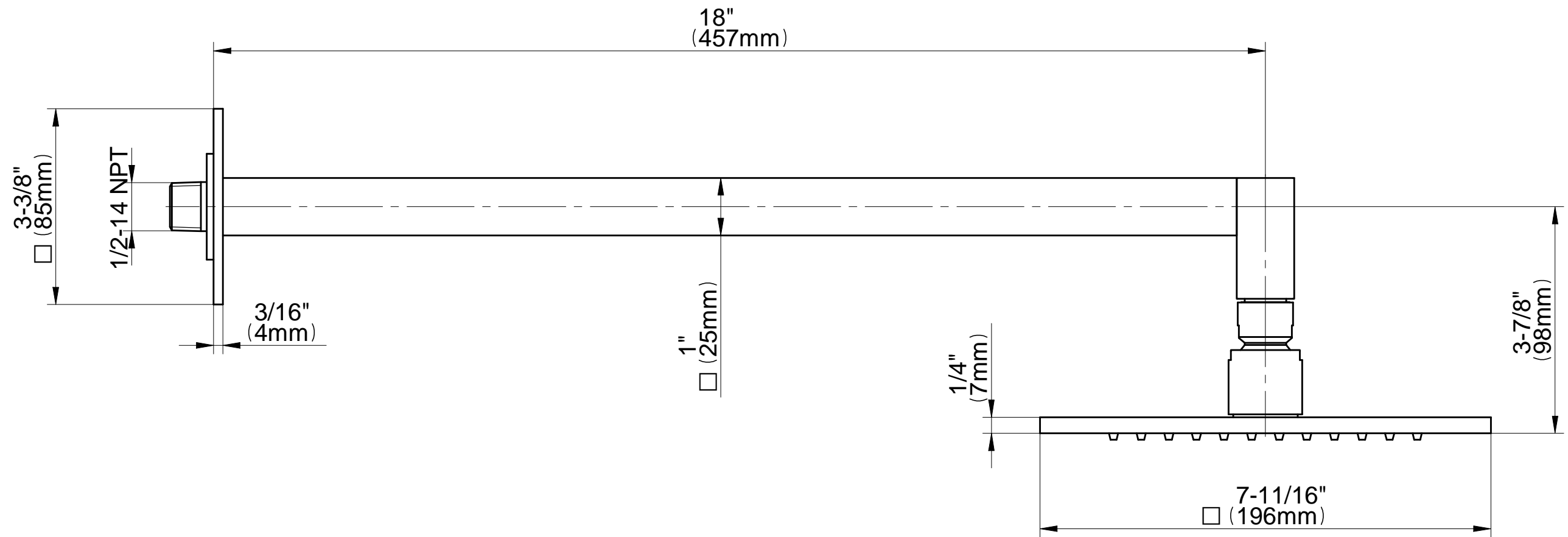
G-8072-LM31E1-T

SOLAR Series



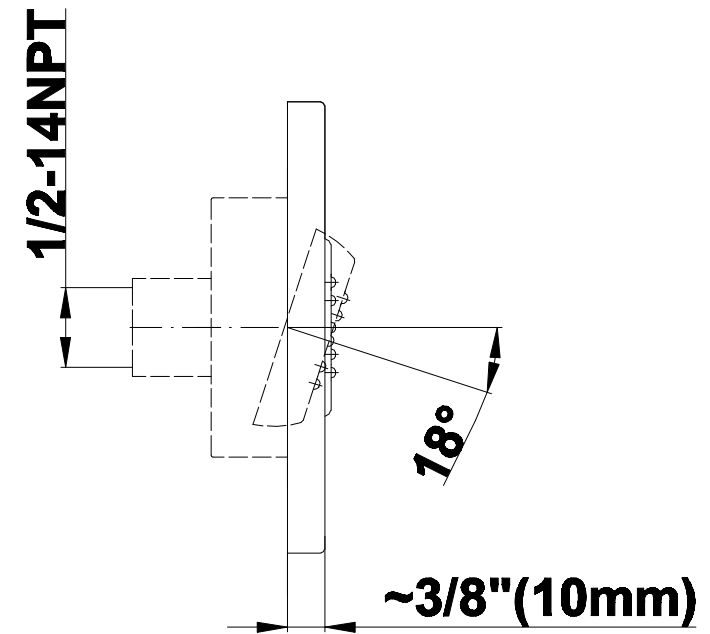
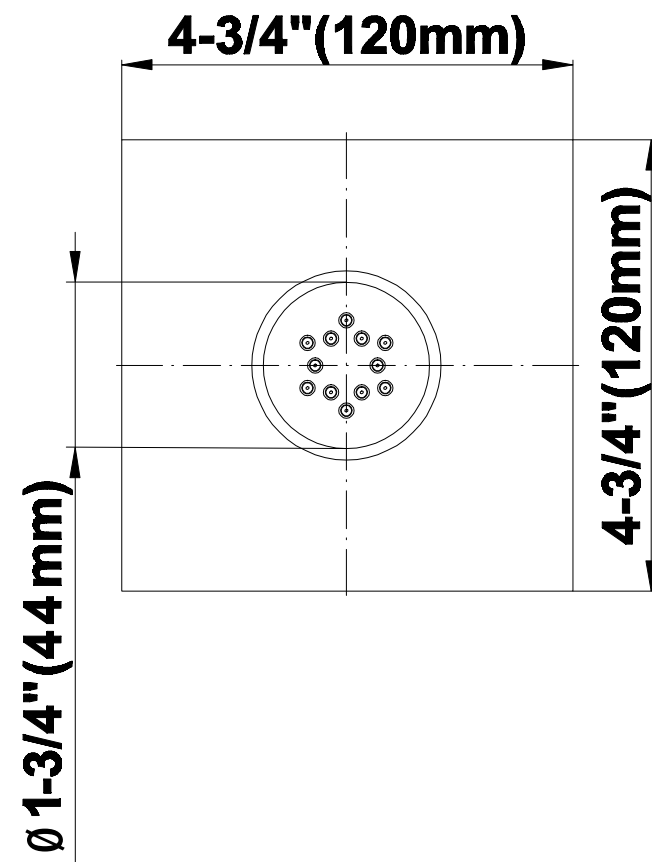
GRAFF[®]
Art of Bath

G-8355



GRAFF[®]
Art of Bath

G-8497



GRAFF[®]
Art of Bath

G-8649

