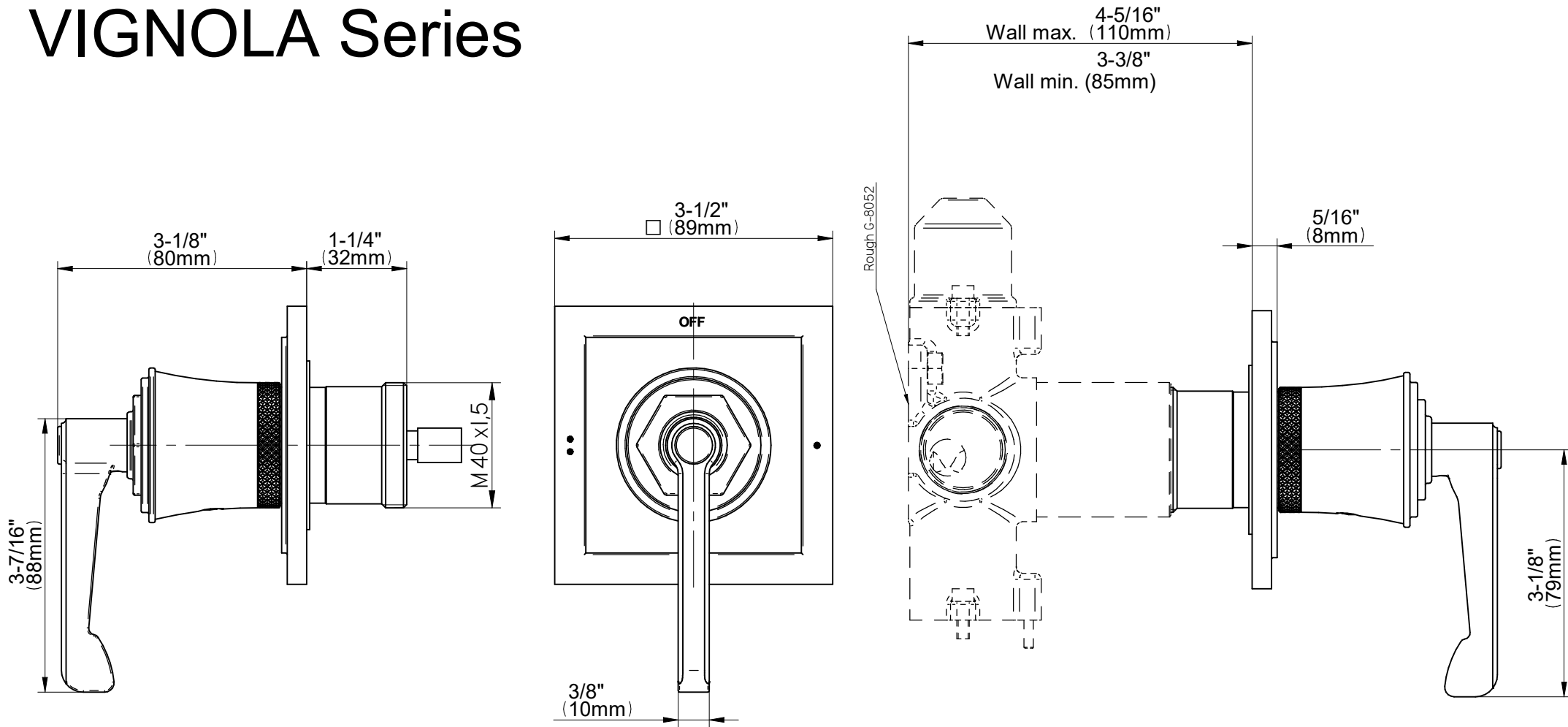


# G-8173-LM60E1-T

## VIGNOLA Series



**GRAFF®**  
Art of Bath