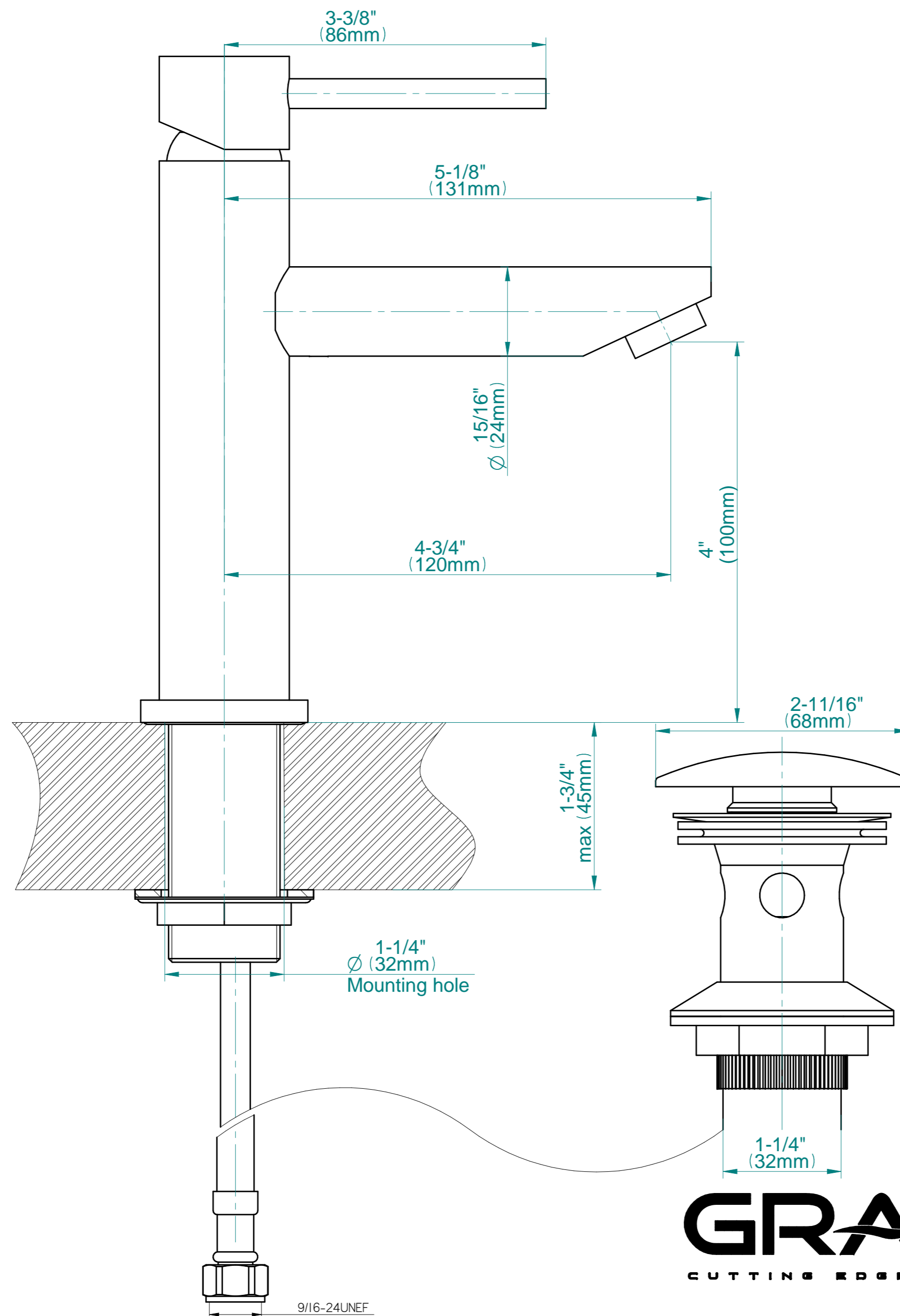


G-6103-LM41

ME 25 Series



GRAFF[®]
CUTTING EDGE DESIGN