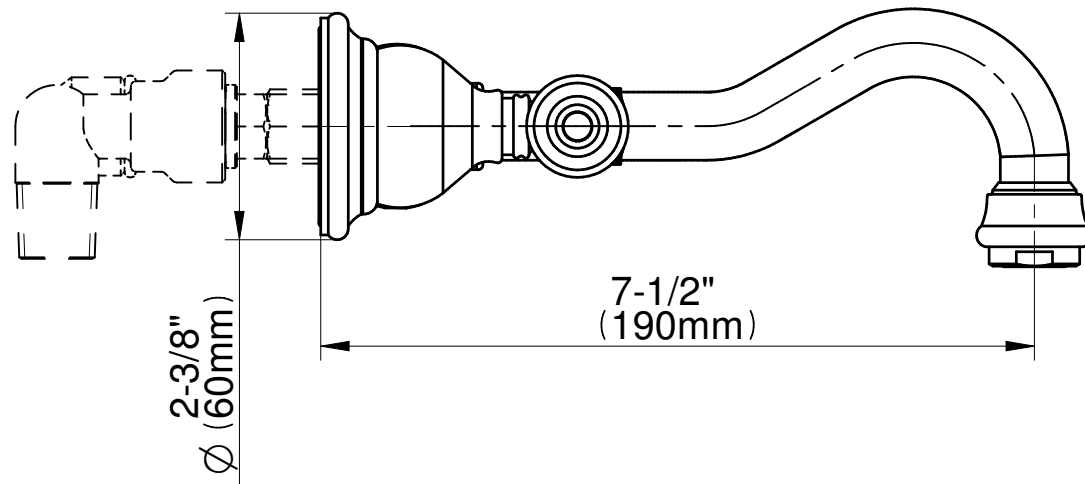


# G-2530-LM34-T

## Adley Series



wall max.  $2\frac{3}{4}$ " (70 mm)  
wall min.  $1\frac{3}{4}$ " (44,5 mm)

