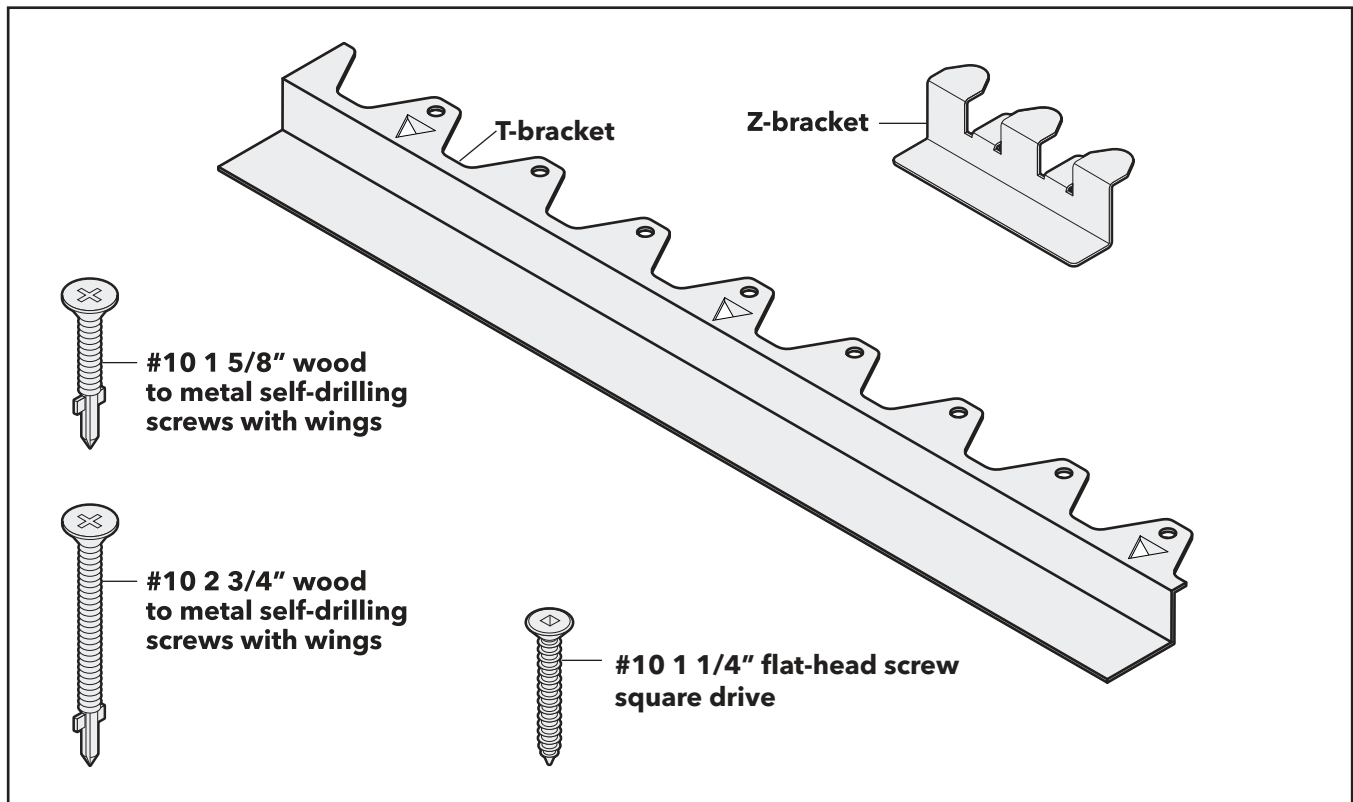


- SKU: 44.RR.LSP
- Metal brackets for lowering plywood floors for curbless shower pan
- Made of 16 gauge galvanized steel
- Up to 28 square foot recess



Installation Kit Includes

- T bracket 11 7/8 " long main bracket fastened to the top of floor joist (x32)
- Z bracket 5 " long side bracket used for wall to recess and main floor to recess transitions (x26)
- #10 1 5/8" wood to metal self-drilling screws with wings (x160)
- #10 2 3/4" wood to metal self-drilling screws with wings (x40)
- #10 1 1/4" flat-head screw square drive (x120)

Testing

All RR kits and accessories have undergone thorough testing and passed Robinson Test C627 for floor assemblies

