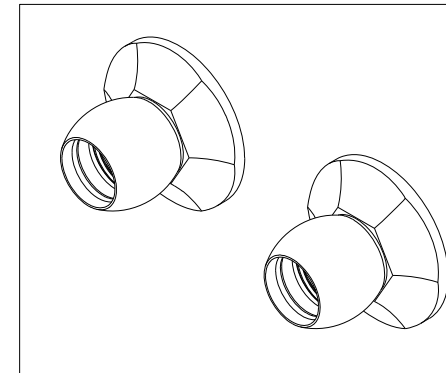
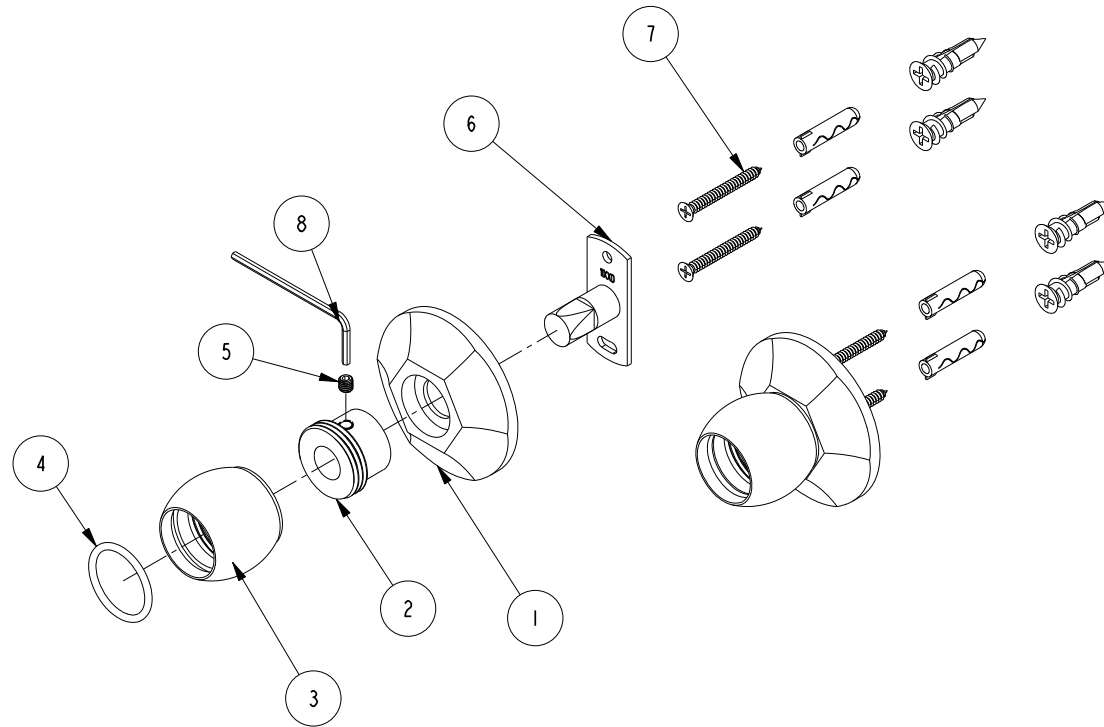


NOTES:

(NI) 1. FIT / FORM / FUNCTION SHALL FOLLOW PS-E.008.

BILL OF MATERIAL (CURRENT LEVEL)

ITEM	PT/ASSY	DESCRIPTION	TYPE	QTY.
1	0600C	TOWEL SHELF ROSETTE	PART	2
2	1139A	SHOWER ROD ADAPTER	PART	2
3	639S	SHOWER ROD SLEEVE	PART	2
4	91073	O-RING, #2-120, EPDM, 65-75 DURO	PART	2
5	92308	SCRW, M5 X 5 SKT HD CUP PT SS	PART	2
6	11XXD	SOLID MOUNTING BRACKET	PART	2
7	1-206	HARDWARE PACK	ASSEMBLY	2
8	10888	HEX KEY, 2.5MM ALLOY STEEL	PART	1



COPYRIGHT 2005 BRASSTECH, INC.
THESE DRAWINGS AND THE DESIGNS
DEPICTED HEREIN ARE THE PROPRIETARY
PROPERTY OF BRASSTECH. ANY USE
OR REPRODUCTION IS SUBJECT TO
THE EXPRESS APPROVAL OF BRASSTECH.
UNAUTHORIZED USE IS STRICTLY
PROHIBITED. ALL RIGHTS RESERVED.

TESTING	ASSEMBLY	PLATING	POLISHING	MACHINING	TOOLING FIXTURE #	APPLICATION
-	-	-	-	-	-	REMOVE ALL BURRS AND SHARP EDGES
-	-	-	-	-	NEXT ASSY	USED ON

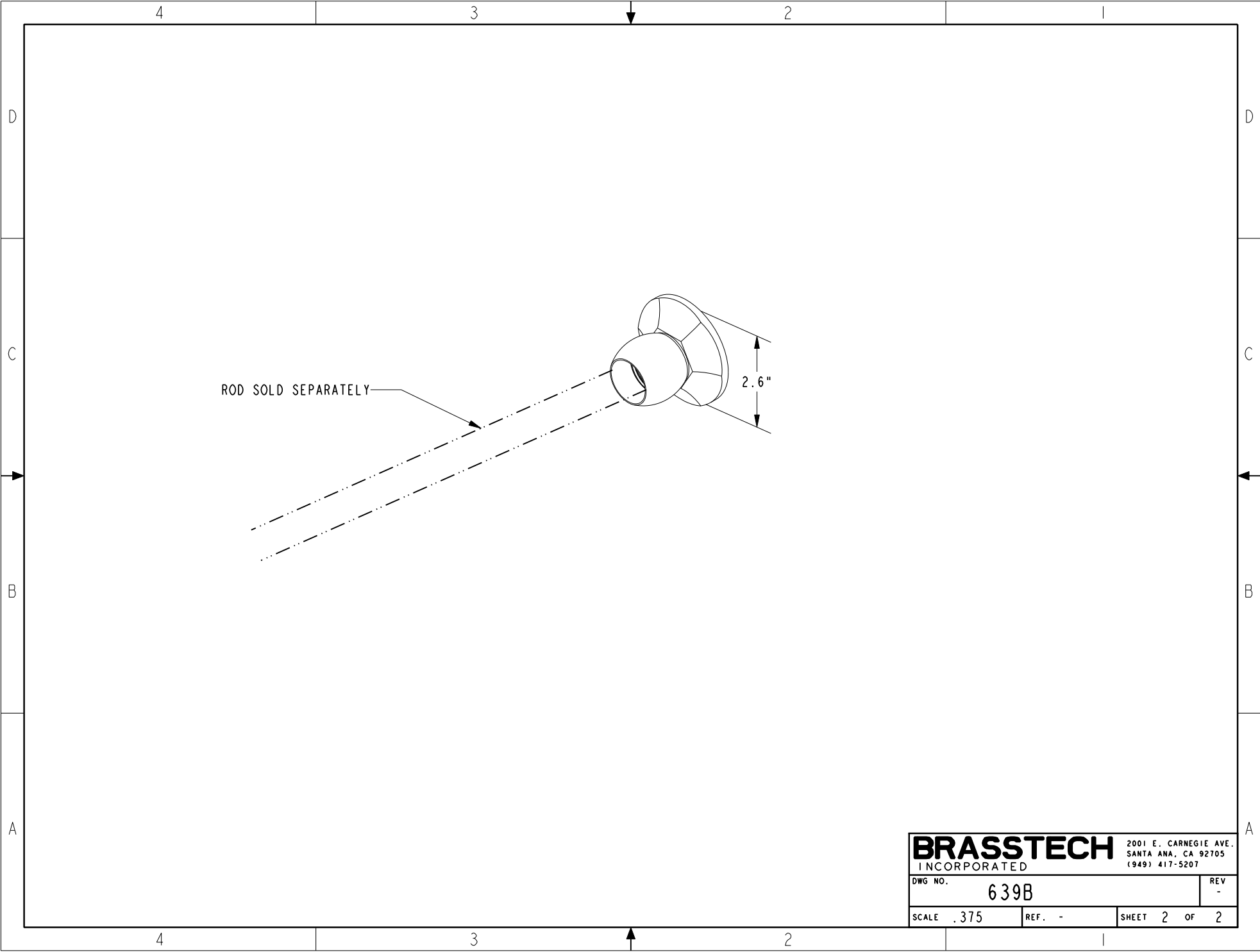
UNITS ARE: INCHES [MM]
TOLERANCES ARE:
FRACTIONS DECIMALS ANGLES
 $\pm 1/16"$.X $\pm .1$ [2.5] $\pm 1^\circ$
.XX $\pm .06$ [1.5]
(X.XXX) DENOTES CRITICAL DIMS.
ALL THREADS ARE CRITICAL

BRASSTECH 2001 CARNEGIE AVE.
INCORPORATED SANTA ANA, CA 92705
(949) 417-5207

SHOWER ROD BRACKETS

ZONE	REV	DESCRIPTION	DATE	APPROVED
-	-	EN-2964	10/26/15	J.M.

DWG NO.	REV	SCALE	REF.	SHEET	OF
639B	-	.375	-	1	2



ROD SOLD SEPARATELY

2.6"

BRASSTECH		2001 E. CARNEGIE AVE.	
INCORPORATED		SANTA ANA, CA 92705	
		(949) 417-5207	
DWG NO.	639B	REV	-
SCALE	.375	REF.	-
		SHEET	2 OF 2