

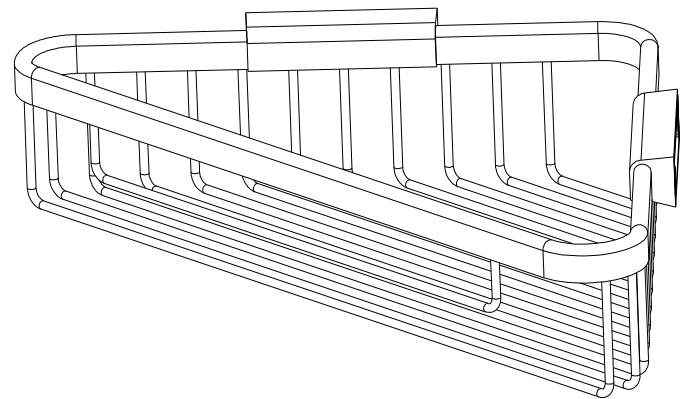
### Features

- Solid brass frame
- Basket extends approximately 8-5/8" along each wall from corner

### Codes / Standards Compliance

Meets or exceeds the following at date of manufacture:

- All applicable US Federal and State material regulations



### Colors / Finishes

- PC: Polished Chrome
- SN: Satin Nickel

Other: NA

### Specified Model

Model	Description	Colors   Finishes
554DG	Corner Basket	<input type="checkbox"/> PC <input type="checkbox"/> SN

### Product Specification: Add glass type designator and "Color / Finish" suffix to Model number, below.

The Basket shall be of solid brass construction. Basket Shelf shall incorporate a triangular shape that extends approximately 8-5/8" along each wall from corner. Basket shall be Ginger Model 554DG/\_\_\_\_ .

# 554DG

## Product Dimensions *(units are in inches)*

