

## Basket 550G

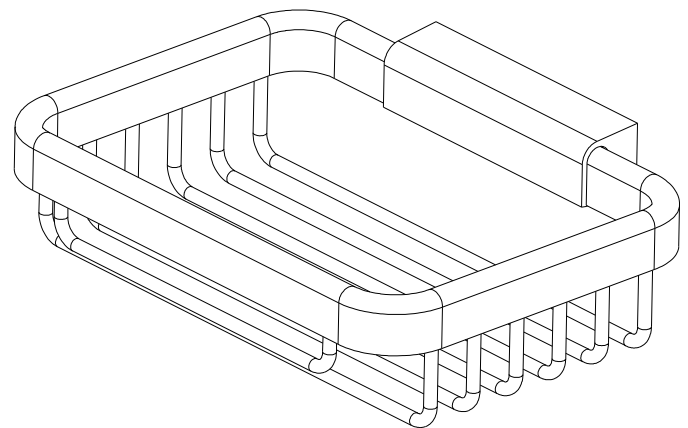
### Features

- Solid brass frame
- Basket extends approximately 4" from the wall
- Basket has a running length of approximately 5-3/16"

### Codes / Standards Compliance

Meets or exceeds the following at date of manufacture:

- All applicable US Federal and State material regulations



### Colors / Finishes

- PC: Polished Chrome
- SN: Satin Nickel

Other: NA

### Specified Model

Model	Description	Colors   Finishes
550G	Soap Basket	<input type="checkbox"/> PC <input type="checkbox"/> SN

### Product Specification: Add glass type designator and "Color / Finish" suffix to Model number, below.

The Basket shall be of solid brass construction. Basket Shelf shall incorporate a projected depth of approximately 4" from the wall a running length of approximately 5-3/16". Basket shall be Ginger Model 550G/\_\_\_\_.

# 550G

## Product Dimensions *(units are in inches)*

