

Features

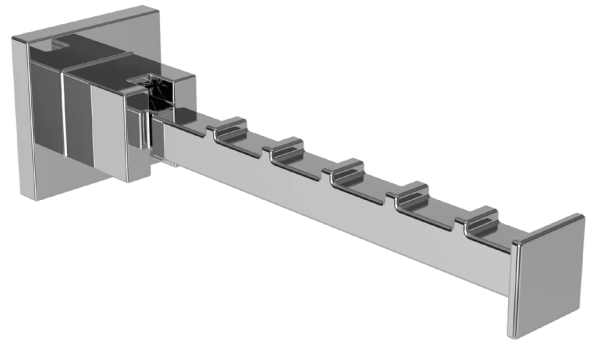
- Solid metal construction
- Complements Lineal product series

Valet Hook 5217

Codes / Standards Compliance

Meets or exceeds the following at date of manufacture:

- All applicable US Federal and State material regulations



Colors / Finishes

- PC: Polished Chrome
- PN: Polished Nickel
- SN: Satin Nickel

Specified Model

Model	Description	Colors / Finishes
5217	Valet Pivoting Hook	<input type="checkbox"/> PC <input type="checkbox"/> PN <input type="checkbox"/> SN

Product Specification:

Add "Color / Finish" Suffix to Model Number Below

The Valet Pivoting Hook shall be made of solid metal construction. Valet Pivoting Hook shall complement Ginger Lineal product series. Valet Pivoting Hook shall be Ginger Model 5217/_____ .

5217

Product Dimensions *(units are in inches)*

