

## Features

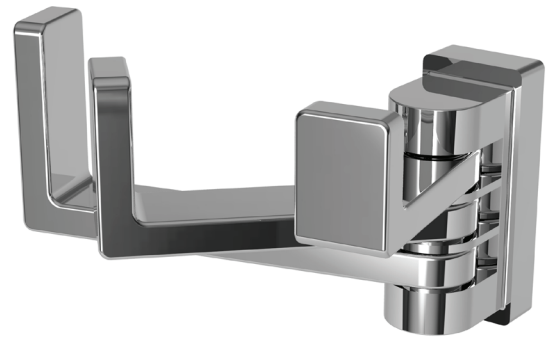
- Solid metal construction
- Complements Lineal product series

## Triple Robe Hook 5210T

## Codes / Standards Compliance

Meets or exceeds the following at date of manufacture:

- All applicable US Federal and State material regulations



## Colors / Finishes

- PC: Polished Chrome
- PN: Polished Nickel
- SN: Satin Nickel

## Specified Model

Model	Description	Colors / Finishes
5210T	Triple Pivoting Robe Hook	<input type="checkbox"/> PC <input type="checkbox"/> PN <input type="checkbox"/> SN

## Product Specification:

Add "Color / Finish" Suffix to Model Number Below

The Triple Pivoting Robe Hook shall be made of solid brass construction. Triple Pivoting Robe Hook shall complement Ginger Lineal product series. Triple Pivoting Robe Hook shall be Ginger Model 5210T/\_\_\_\_ .

# 5210T

**Product Dimensions** *(units are in inches)*

