

Features

- Solid brass construction
- Single-post design with open roller and tempered glass shelf
- Complements Cayden product series

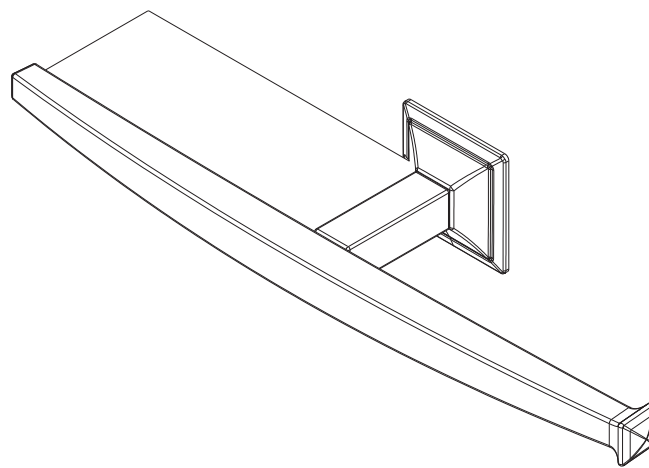
Open Toilet Tissue Holder

4906-1

Codes / Standards Compliance

Meets or exceeds the following at date of manufacture:

- All applicable US Federal and State material regulations



Colors / Finishes

- PC: Polished Chrome
- PN: Polished Nickel
- SN: Satin Nickel

Specified Model

Model	Description	Colors Finishes
4906-1	Open Toilet Tissue Holder	<input type="checkbox"/> PC <input type="checkbox"/> PN <input type="checkbox"/> SN

Product Specification: Add glass type designator and "Color / Finish" suffix to Model number, below

The Toilet Tissue Holder shall be made of solid brass construction and incorporate a single-post design with open roller and tempered glass shelf. Toilet Tissue Holder shall complement Ginger Cayden product series. Toilet Tissue Holder shall be GINGER Model 4906-1/_____.

4906-1

Product Dimensions (*units are in inches*)

