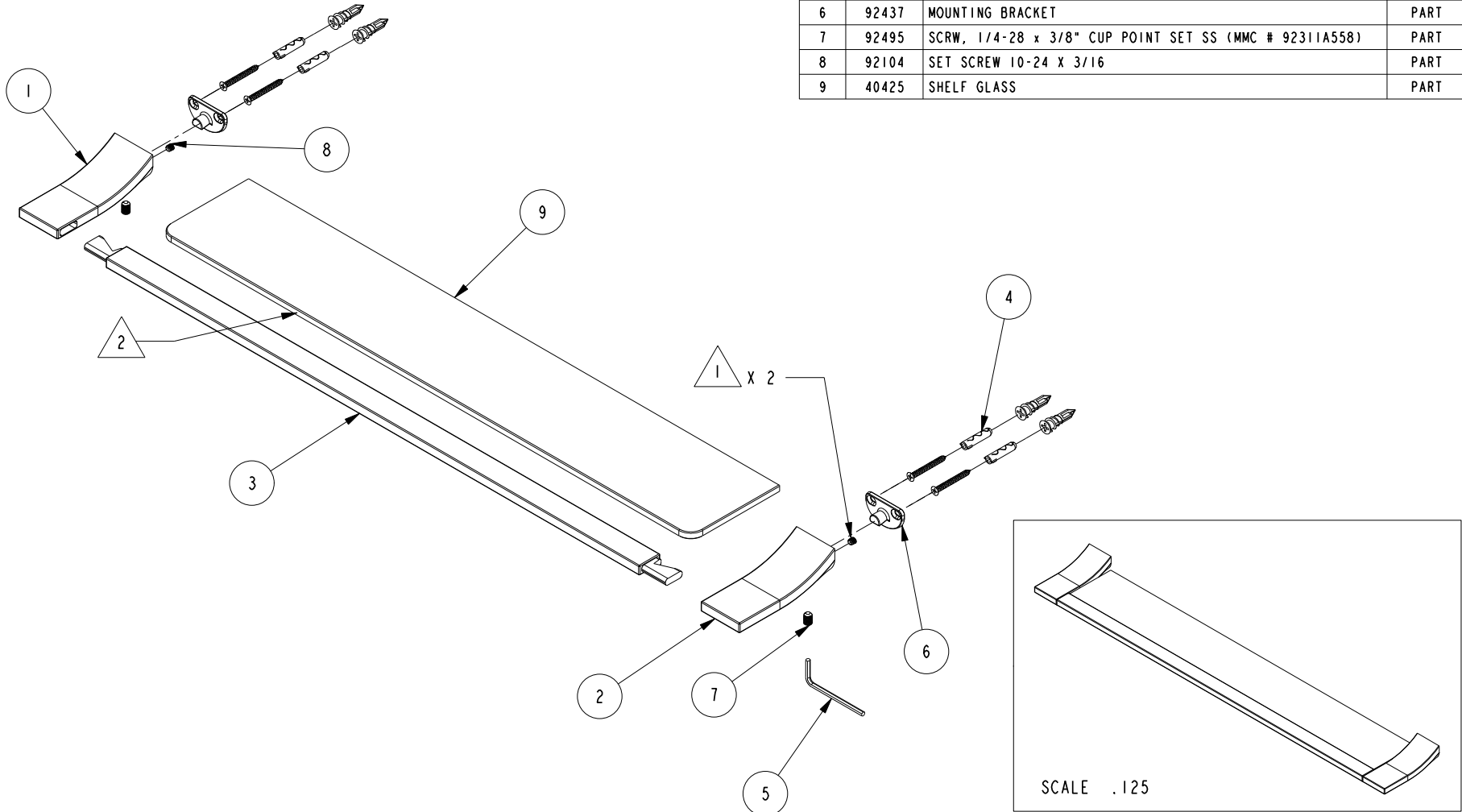


NOTES:

- 1 APPLY PERMANENT THREAD LOCKER (LOCTITE 680)
- 2 APPLY DP420 EPOXY.
- 3. BAG ITEMS 4 AND 5. ASSEMBLE ALL REMAINING ITEMS.

BILL OF MATERIAL (CURRENT LEVEL)

ITEM	PT/ASSY	DESCRIPTION	TYPE	QTY.
1	40422	GLASS SHELF POST-LEFT	PART	1
2	40423	GLASS SHELF POST-RIGHT	PART	1
3	40424	GLASS SHELF SUPPORT BAR	PART	1
4	1-206	HARDWARE PACK	ASSEMBLY	2
5	92422	HEX KEY, 1/8" ALLOY STEEL (MMC# 7122A18)	PART	1
6	92437	MOUNTING BRACKET	PART	2
7	92495	SCRW, 1/4-28 x 3/8" CUP POINT SET SS (MMC # 92311A558)	PART	2
8	92104	SET SCREW 10-24 X 3/16	PART	2
9	40425	SHELF GLASS	PART	1



COPYRIGHT 2005 GINGER. THESE DRAWINGS AND THE DESIGNS DEPICTED HEREIN ARE THE PROPRIETARY PROPERTY OF GINGER. ANY USE OR REPRODUCTION IS SUBJECT TO THE EXPRESS APPROVAL OF GINGER. UNAUTHORIZED USE IS STRICTLY PROHIBITED. ALL RIGHTS RESERVED.

GINGER

2001 E. CARNEGIE AVE.
SANTA ANNA CA 92705
(949) 417-5207

24" TEMPERED GLASS SHELF

ASSY. NO. 4734T-24

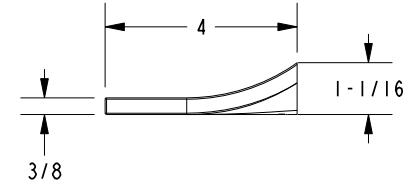
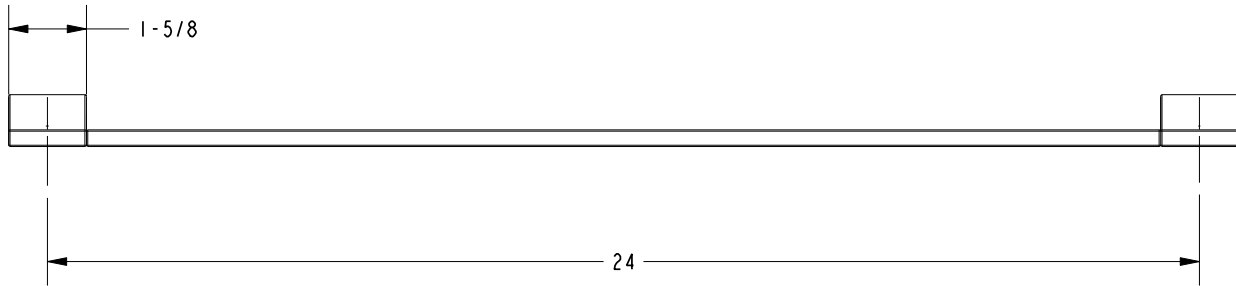
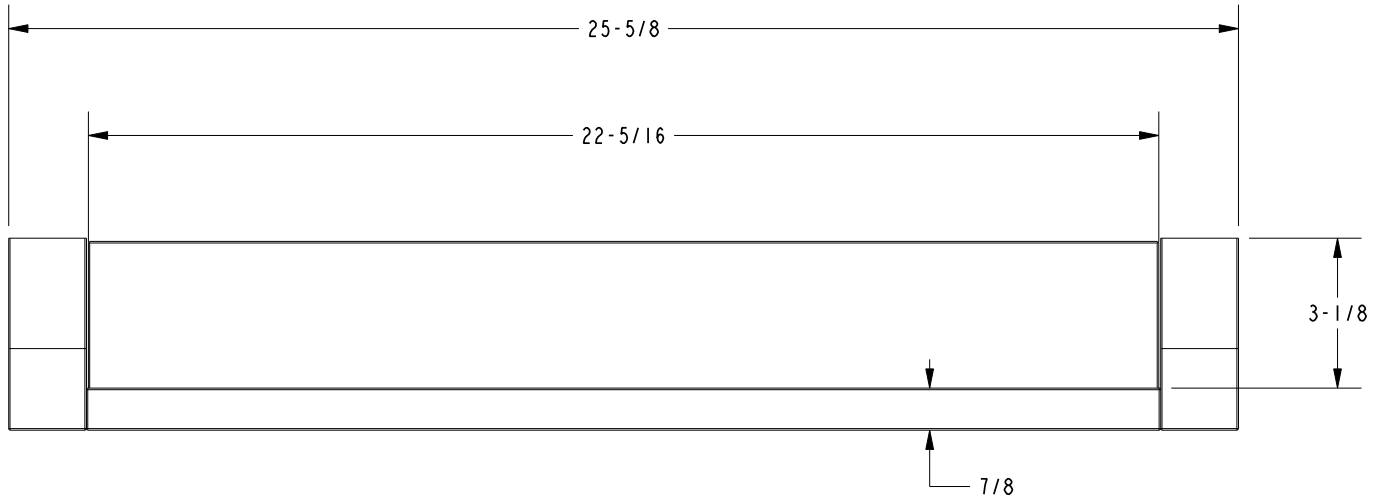
SCALE .250

REF. -

SHEET 1 OF 2

C	EN-1718	04/04/11
B	EN-1701	02/17/11
A	EN-1683	1/06/11
-	EN-1294	11/09/10
REV	REV DESC	DATE

SPECIFICATION DWG



DIMENSIONS ARE IN INCHES AND AN APPROXIMATION OF A TYPICAL INSTALLATION

COPYRIGHT 2005 GINGER. THESE DRAWINGS AND THE DESIGNS DEPICTED HEREIN ARE THE PROPRIETARY PROPERTY OF GINGER. ANY USE OR REPRODUCTION IS SUBJECT TO THE EXPRESS APPROVAL OF GINGER. UNAUTHORIZED USE IS STRICTLY PROHIBITED. ALL RIGHTS RESERVED.

GINGER		2001 E. CARNEGIE AVE. SANTA ANNA CA 92705 (949) 417-5207	
DWG NO.	4734T-24	REV	C
SCALE	.250	REF.	-
		SHEET	2 OF 2