

Grab Bar (Three Post)

2766

Also 2767

Features

- Solid brass construction
- Three-post design
- Complements Circe product series

Codes / Standards Compliance

Meets or exceeds the following at date of manufacture:

- All applicable US Federal and State material regulations
- ADA

Colors / Finishes

- PC: Polished Chrome
- PN: Polished Nickel
- SN: Satin Nickel
- Other: NA



Specified Model

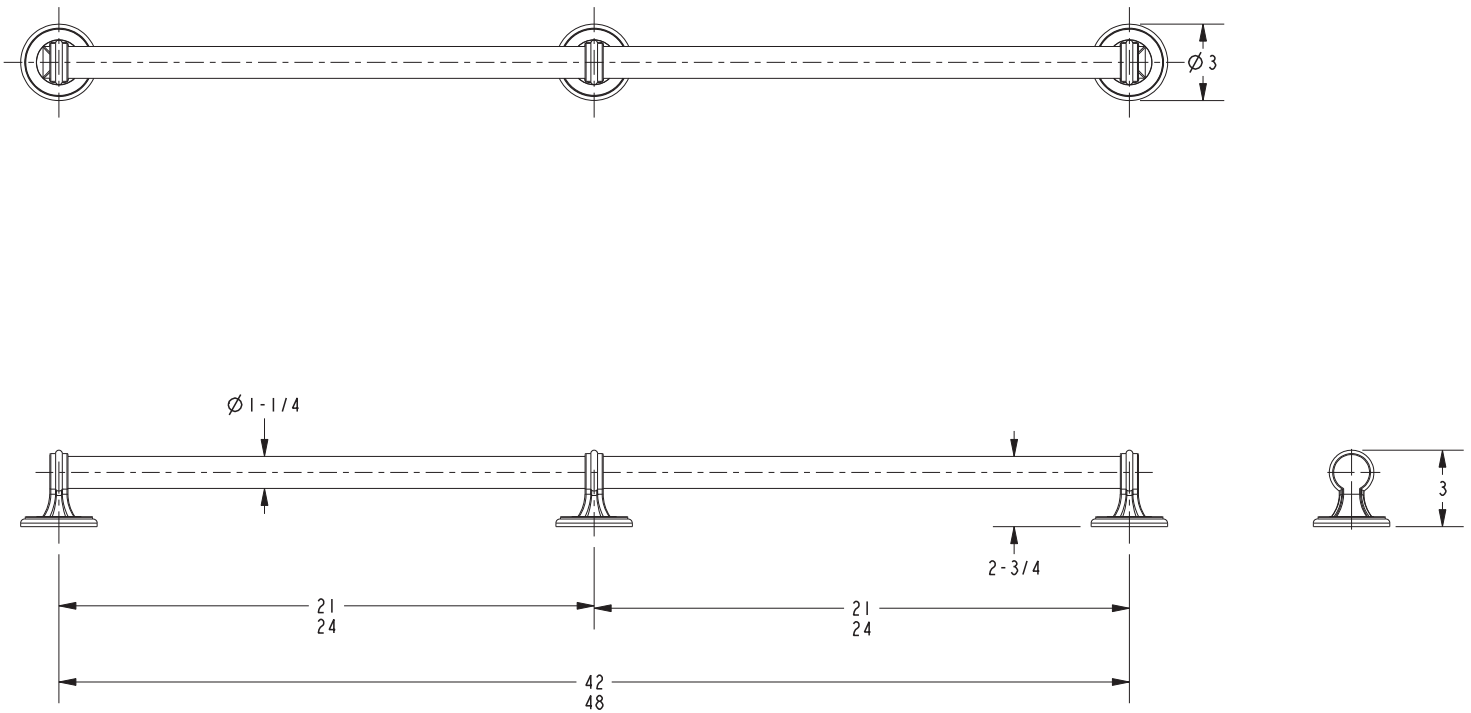
| Model | Description | Colors Finishes | | | |
|-------|--------------|-----------------------------|-----------------------------|-----------------------------|--------------------------------|
| 2766 | 42" Grab Bar | <input type="checkbox"/> PC | <input type="checkbox"/> PN | <input type="checkbox"/> SN | <input type="checkbox"/> Other |
| 2767 | 48" Grab Bar | <input type="checkbox"/> PC | <input type="checkbox"/> PN | <input type="checkbox"/> SN | <input type="checkbox"/> Other |

Product Specification: Add "Length Indicator and Color / Finish" suffix to Model number, below.

The Grab Bar shall be made of solid brass construction. Grab Bar shall complement Ginger Circe product series. Grab Bar shall be Ginger Model 276____/____.

2766, 2767

Product Dimensions *(units are in inches)*



 MEETS OR EXCEEDS ASTM F446 STANDARDS AND CONFORMS TO ADA GUIDELINES.