

Toilet Tissue Holder 1808

Features

- Solid brass construction
- Double-post design with spring-loaded, non-separating roller
- Complements Quattro product series

Codes / Standards Compliance

Meets or exceeds the following at date of manufacture:

- All applicable US Federal and State material regulations



Colors / Finishes

- PC: Polished Chrome
- SN: Satin Nickel
- Other: NA

Specified Model

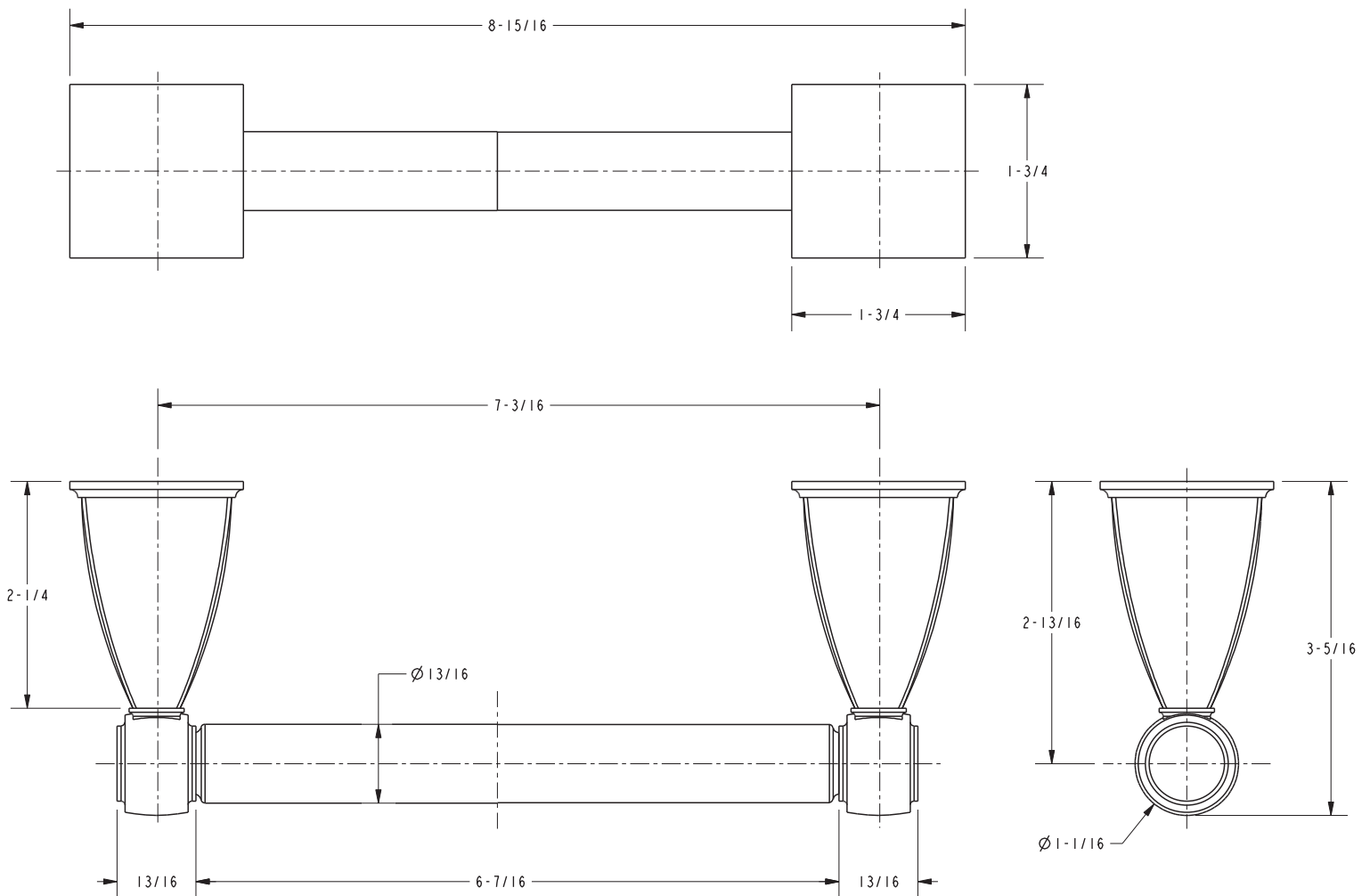
Model	Description	Colors Finishes
1808	Toilet Tissue Holder	<input type="checkbox"/> PC <input type="checkbox"/> SN

Product Specification: Add "Color / Finish" Suffix to Model Number Below.

The Toilet Tissue Holder shall be made of solid brass construction and incorporate a double-post design utilizing a non-separating, springloaded roller. Toilet Tissue Holder shall complement GINGER Quattro product series. Toilet Tissue Holder shall be GINGER Model 1808/_____.

1808

Product Dimensions *(units are in inches)*



Quattro Toilet Tissue Holder 1808

GINGER