

## Features

- Solid brass escutcheons
- Complements Canterbury product series
- Intended for use with Ginger hotel shelf frame as specified (Required Accessory)

## Codes / Standards Compliance

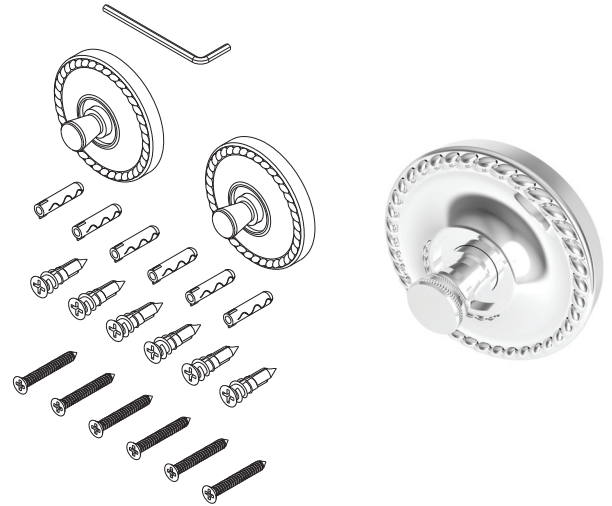
Meets or exceeds the following at date of manufacture:

- All applicable US Federal and State material regulations

## Colors / Finishes

- PC: Polished Chrome
- PN: Polished Nickel
- SN: Satin Nickel

## Hotel Shelf Mounting Kit 154B



## Specified Model

Model	Description	Colors / Finishes
154B	Hotel Shelf Mounting Kit	<input type="checkbox"/> PC <input type="checkbox"/> PN <input type="checkbox"/> SN

## Required Accessory: Hotel Shelf Frame

Model	<input type="checkbox"/> XX40-20 <input type="checkbox"/> XX40-24	<input type="checkbox"/> XX43-20 <input type="checkbox"/> XX43-24	<input type="checkbox"/> XX43S-20
Finish	<input type="checkbox"/> PC <input type="checkbox"/> PN <input type="checkbox"/> SN	<input type="checkbox"/> PC <input type="checkbox"/> PN <input type="checkbox"/> SN	<input type="checkbox"/> PC <input type="checkbox"/> PN <input type="checkbox"/> SN
Image			

## Product Specification: Add "Color / Finish" Suffix to Model Number Below

The Hotel Shelf mounting kit shall incorporate a solid brass escutcheons, mounting brackets and necessary hardware. Hotel Shelf Mounting Kit shall complement Ginger Canterbury product series. Mounting Kit shall be Ginger Model 154B/\_\_\_\_. Required accessory Frame shall be Ginger Model XX4\_\_\_\_-2\_\_/\_\_\_\_ .

# 154B

