

### Features

- Solid brass construction
- Complements Canterbury product series

### Double Towel Bar 1522-24

### Codes / Standards Compliance

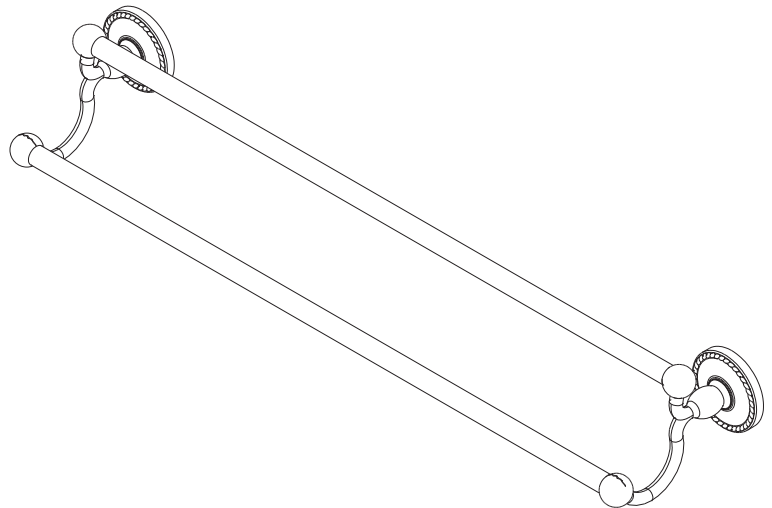
Meets or exceeds the following at date of manufacture:

- All applicable US Federal and State material regulations

### Colors / Finishes

- SN: Satin Nickel
- PC: Polished Chrome
- PB: Polished Brass

- Other: NA



### Specified Model

Model	Description	Colors   Finishes
1522-24	24" Double Towel Bar	<input type="checkbox"/> SN <input type="checkbox"/> PC <input type="checkbox"/> PB

### Product Specification: Add "Length Indicator and Color / Finish" suffix to Model number, below.

The Double Towel Bar shall be made of solid brass construction. Double Towel Bar shall complement Ginger Canterbury product series. Double Towel Bar shall be Ginger Model 1522-24/\_\_\_\_ .

# 1522-24

## Product Dimensions *(units are in inches)*

