

Features

- Solid brass construction
- Double-post design with spring-loaded, non-separating roller
- Complements Canterbury product series

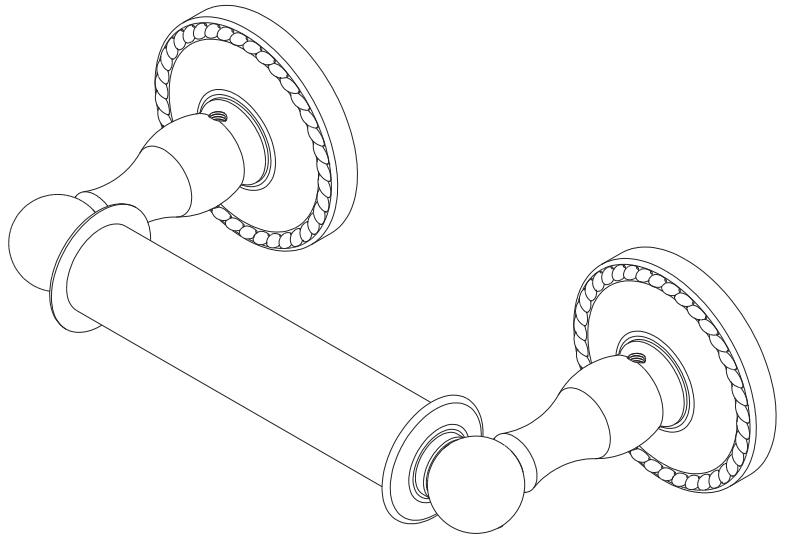
Codes / Standards Compliance

Meets or exceeds the following at date of manufacture:

- All applicable US Federal and State material regulations

Colors / Finishes

- SN: Satin Nickel
- PB: Polished Brass
- PC: Polished Chrome



Specified Model

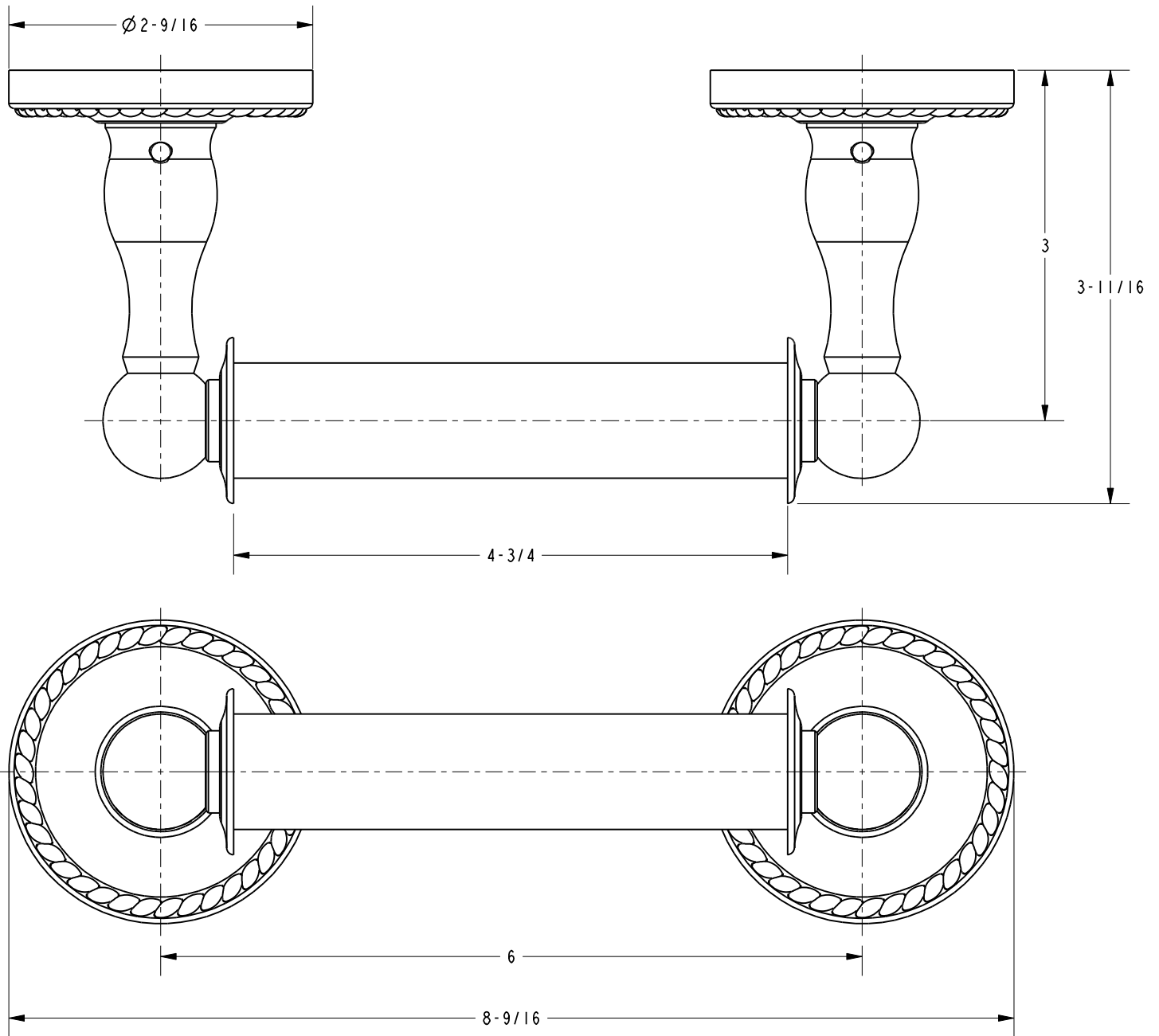
Model	Description	Colors Finishes
1508N	Toilet Tissue Holder	<input type="checkbox"/> SN <input type="checkbox"/> PB <input type="checkbox"/> PC

Product Specification: Add "Color / Finish" Suffix to Model Number Below.

The Toilet Tissue Holder shall be made of solid brass construction and incorporate a double-post design utilizing a non-separating, spring-loaded roller. Toilet Tissue Holder shall complement Ginger Canterbury product series. Toilet Tissue Holder shall be Ginger Model 1508N/_____.

1508N

Product Dimensions *(units are in inches)*



Canterbury Toilet Tissue Holder
1508N

GINGER