

Features

- Solid brass construction
- Single-post, single light design
- UL listed for damp locations (U.S. and Canada)
- Max. 100 Watt Type A-19 bulb (not supplied) required
- May be installed with shade facing upward or downward
- Complements Chelsea product series

Codes / Standards Compliance

Meets or exceeds the following at date of manufacture:

- UL 1598
- All applicable US Federal and State material regulations

Colors / Finishes

- ORB: Oil Rubbed Bronze
- PB: Polished Brass
- PC: Polished Chrome
- PN: Polished Nickel
- SN: Satin Nickel

Single Light 1182-1 Also 1182-1N, 1182-1SO



Specified Model

Model	Description	Colors / Finishes
1182-1	Single Light, Satin-Etched Glass	<input type="checkbox"/> ORB <input type="checkbox"/> PB <input type="checkbox"/> PC <input type="checkbox"/> PN <input type="checkbox"/> SN
1182-1N	Single Light, Nuage Glass	<input type="checkbox"/> ORB <input type="checkbox"/> PB <input type="checkbox"/> PC <input type="checkbox"/> PN <input type="checkbox"/> SN
1182-1SO	Single Light, Satin Opal Glass	<input type="checkbox"/> ORB <input type="checkbox"/> PB <input type="checkbox"/> PC <input type="checkbox"/> PN <input type="checkbox"/> SN

Replacement Parts

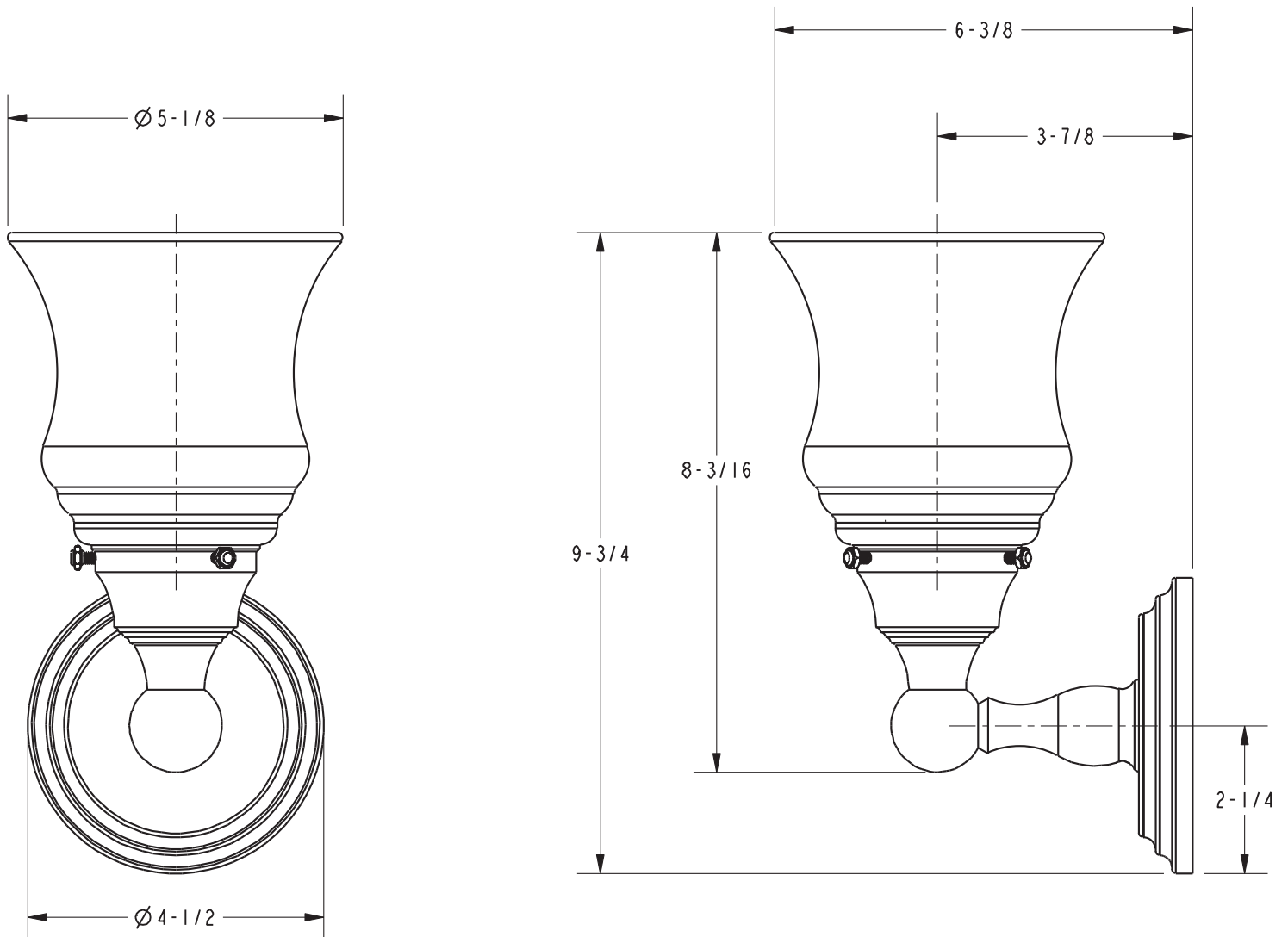
Model	Description	Colors / Finishes
1181-TG-E	Replacement Main Glass Shade	<input type="checkbox"/> Satin-Etched Glass
1181-TG-N	Replacement Main Glass Shade	<input type="checkbox"/> Nuage Glass
1181-TG-SO	Replacement Main Glass Shade	<input type="checkbox"/> Satin Opal Glass

Product Specification: Add "Color / Finish" Suffix to Model Number Below

The Single Light shall incorporate solid brass construction and a (satin-etched, nuage or satin opal) glass shade. Single Light shall complement Ginger Chelsea product series. Single Light shall be Ginger Model 1182-1____/_____.

1182-1

Product Dimensions *(units are in inches)*



Chelsea Single Light
1182-1

page 2 of 2 spec_1182-1_b_3/15

GINGER

t: 949.417.5207 | www.gingerco.com
©2015 Brasstech, Inc.