

# 1401-6021D 60" Double Bowl Vanity

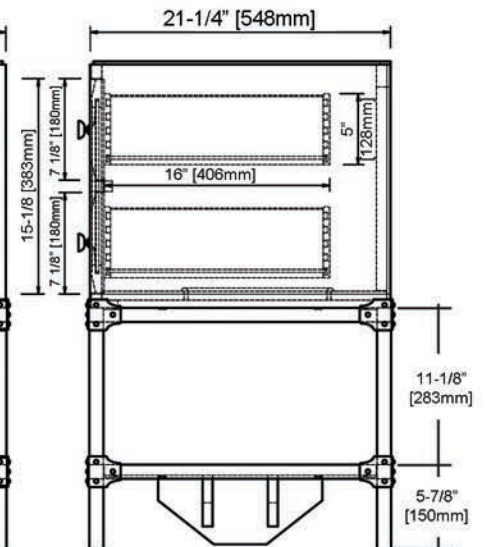
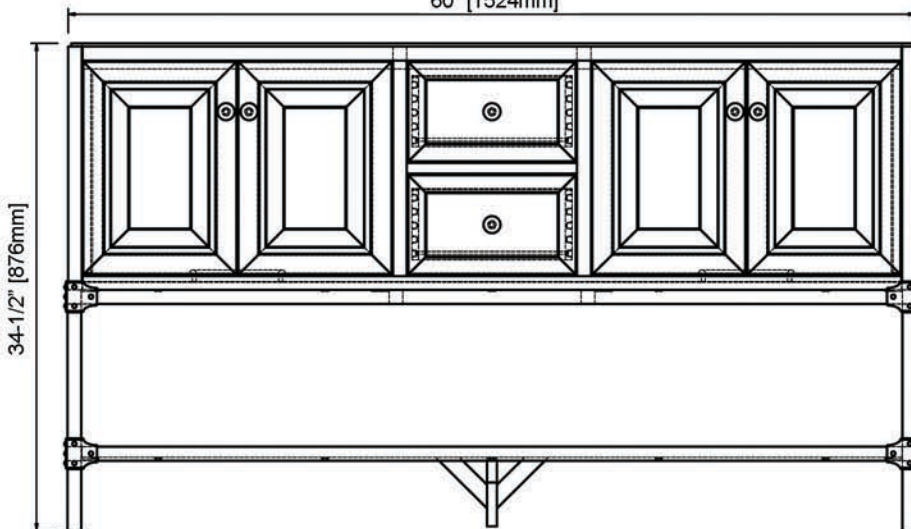
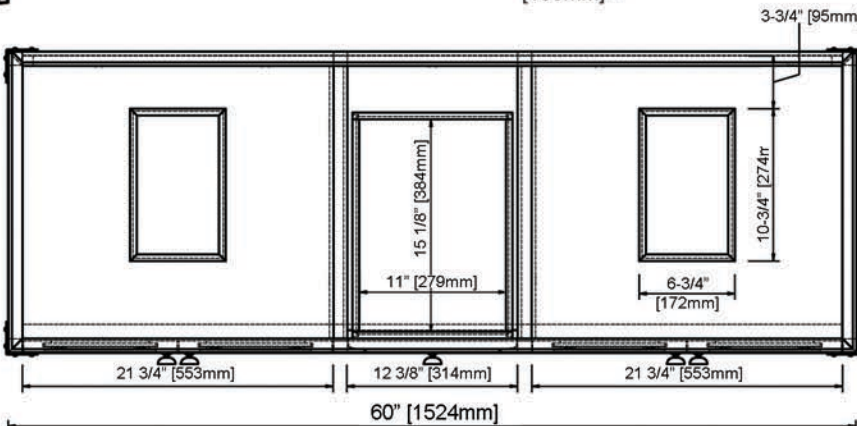
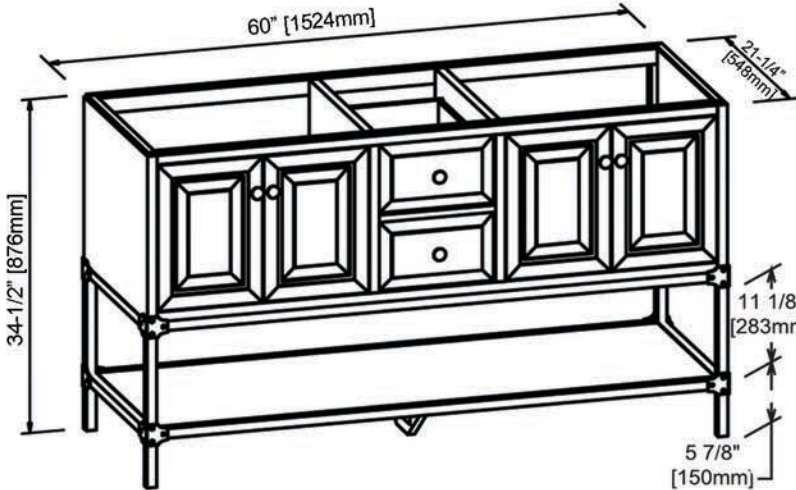
## SPECIFICATION SHEET

### Features

- Materials: Pine Solids / Pine Veneers
- Doors: 4
- Hinges: Fully concealed, soft closing
- Drawers: 2
- Drawer Boxes: 1/2" solid pine, four-sided English dovetail
- Glides: Full extension, soft closing
- Hardware: Antique Brass
- Back panel: Fully covered
- Side panels: 5/8" MDF with Pine Veneers

### Colors / Finish

1401-Driftwood Gray



12/12/17