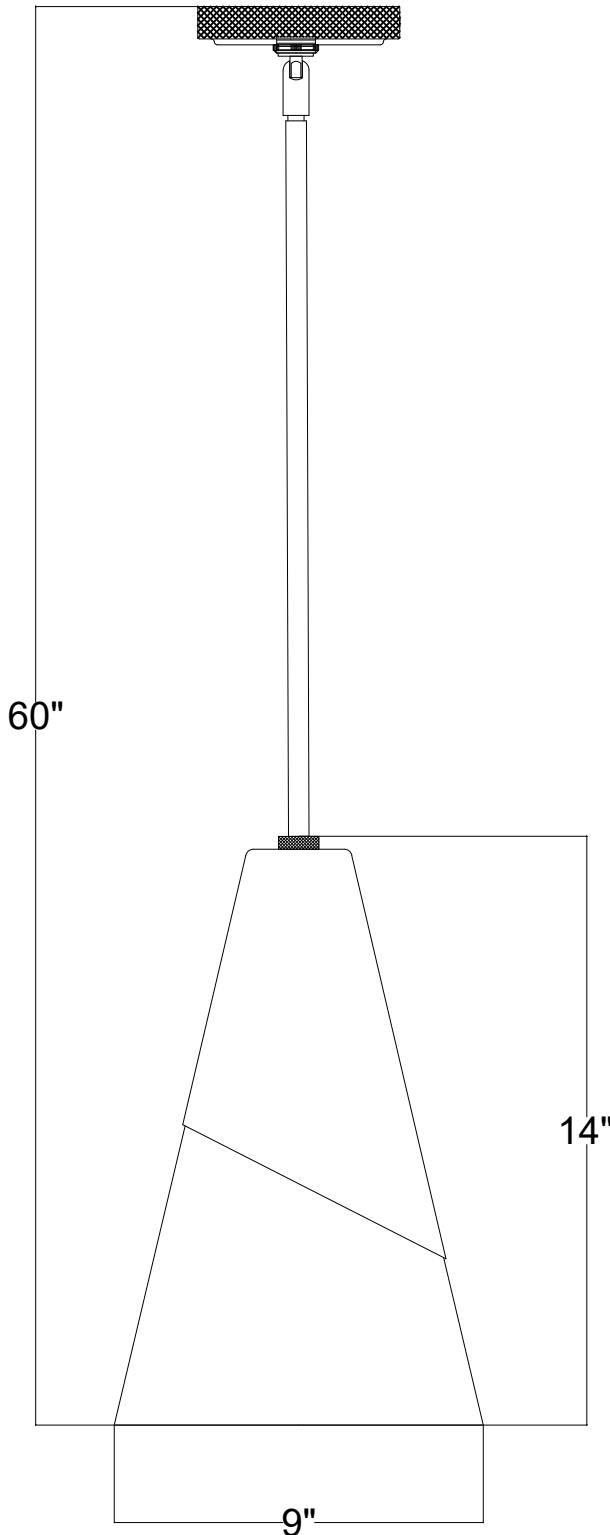




ASSEMBLY INSTRUCTION MODEL #TOR-901-MK

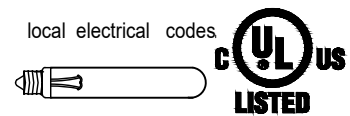


WARNING:

Electrical Danger

Turn Power Off

All electrical components must be installed by a licensed electrician in accordance with the National Electric Code and the appropriate local electrical codes.



You will need 1- Medium Base Bulb
60 Watts recommended and 100 Watts Max.

USE LED BULBS FOR EXTENDED USE
The fixture is Damp rated

HOW TO INSTALL:

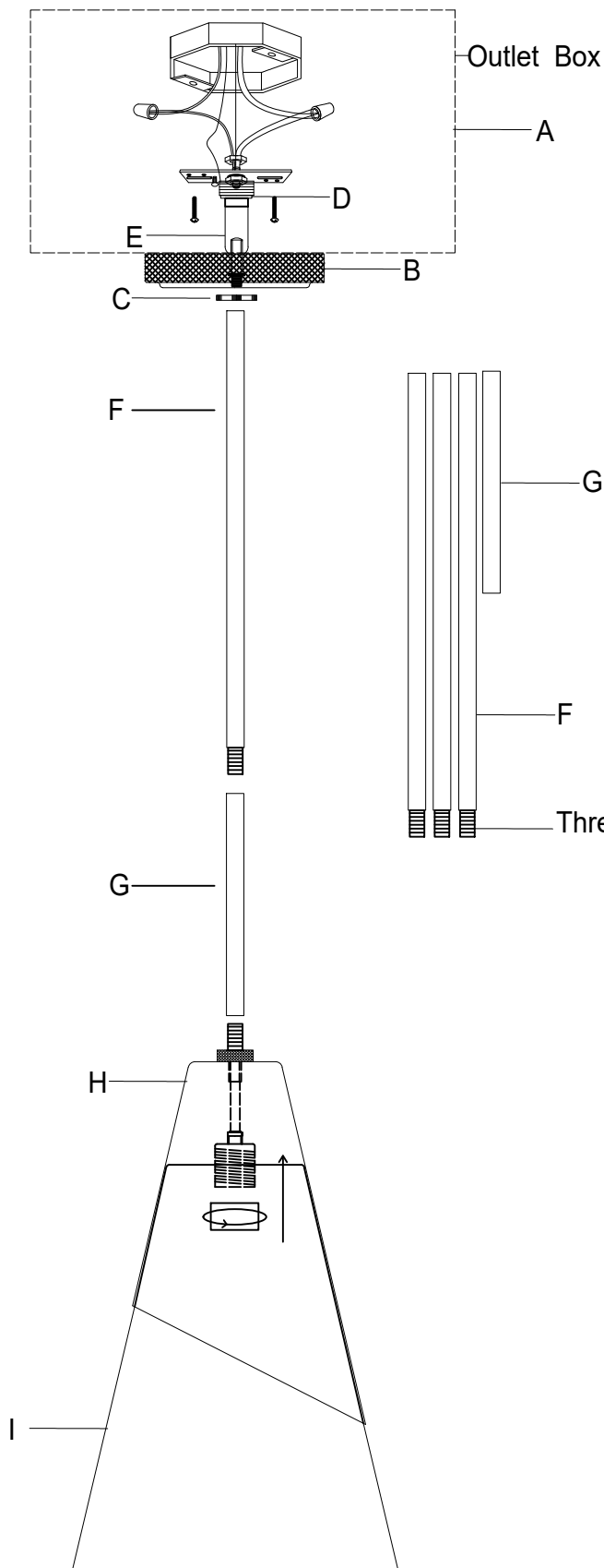
Place the fixture parts on a soft cloth-covered platform before installation of fixture.

1. Decide the preferred hanging height and choose the correct length of rod needed.
2. Feed the wire through the rods and connect them together. Continue running the wire through the collar ring, canopy and the swivel. Screw the swivel onto the top of the rod assembly.
3. Raise the fixture over the ceiling and attach the mounting bar onto the outlet box. After the wire connection is made, secure the canopy to the outlet box with the collar ring.
4. Place the glass shade over the socket inside the metal shade and secure with the socket ring.

⚠ WARNING: This product can expose you to Lead, which is known to the State of California to cause cancer and/or birth defects or reproductive harm. For more information go to www.p65warnings.ca.gov



ASSEMBLY INSTRUCTION MODEL #TOR-901-MK



Part Number

Part Numbers

- A. Mounting hardware
 - Wire Connector × 2.
 - Mounting Bar × 1.
 - Mounting Screw × 2.
 - Washer&Nut × 2.

B.(1)-Canopy Ø:5.1IN-XEH901MKCAN5IN

C.(1)-Collar Ring

D.(1)-Collar Loop

E.(1)-Swivel

F.(3)-Rod L:12"- XEH901MKROD12IN

G.(1)-Rod L:6"-XEH901MKROD6IN

H.(1)-Metal Shade H:10.2" W:7"-XEH901MKSHA10.2IN

I.(1)-Glass Shade H:10" W:8.9"-XEH901GLA10IN