

CRYSTORAMA

1958

95 Cantiague Rock Road, Westbury, NY 11590 • toll free: 1.800.888.4470 fax: 516.931.1254 • info@crystorama.com • www.crystorama.com

MODEL#: SYL-2211-BF ASSEMBLY AND DRESSING INSTRUCTIONS

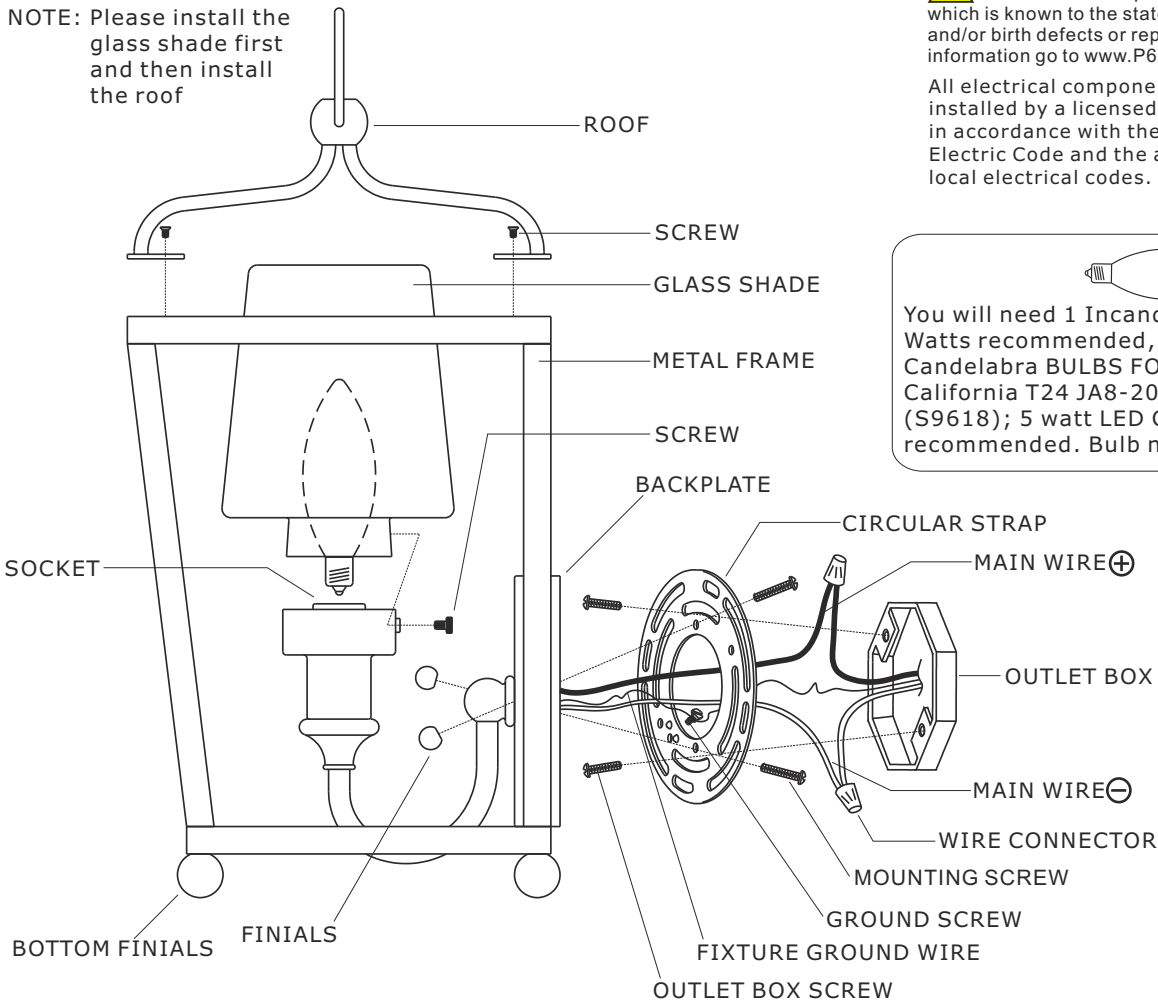



⚠ WARNING: This product can expose you to Lead which is known to the state of California to cause cancer and/or birth defects or reproductive harm. For more information go to www.P65Warnings.ca.gov

All electrical components must be installed by a licensed electrician in accordance with the National Electric Code and the appropriate local electrical codes.

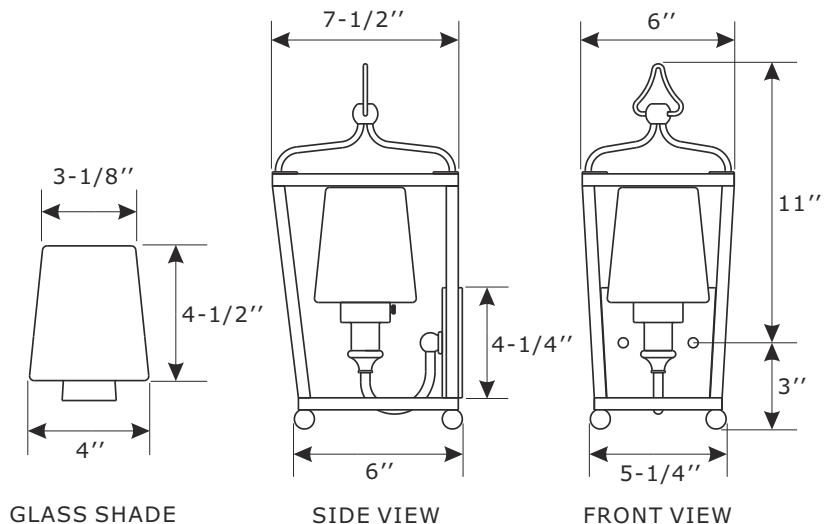
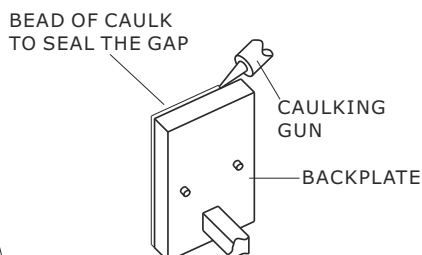


NOTE: Please install the glass shade first and then install the roof

You will need 1 Incandescent bulb 60 Watts recommended, USE 10.5 W LED Candelabra BULBS FOR EXTENDED USE, California T24 JA8-2016 Qualified: Satco (S9618); 5 watt LED Candelabra Base recommended. Bulb not included

After securing fixture to the wall it is recommended that the gap between the wall and fixture backplate be sealed on the top and both sides, with a good quality waterproof caulk or silicone sealant (NOT INCLUDED)



2018-08