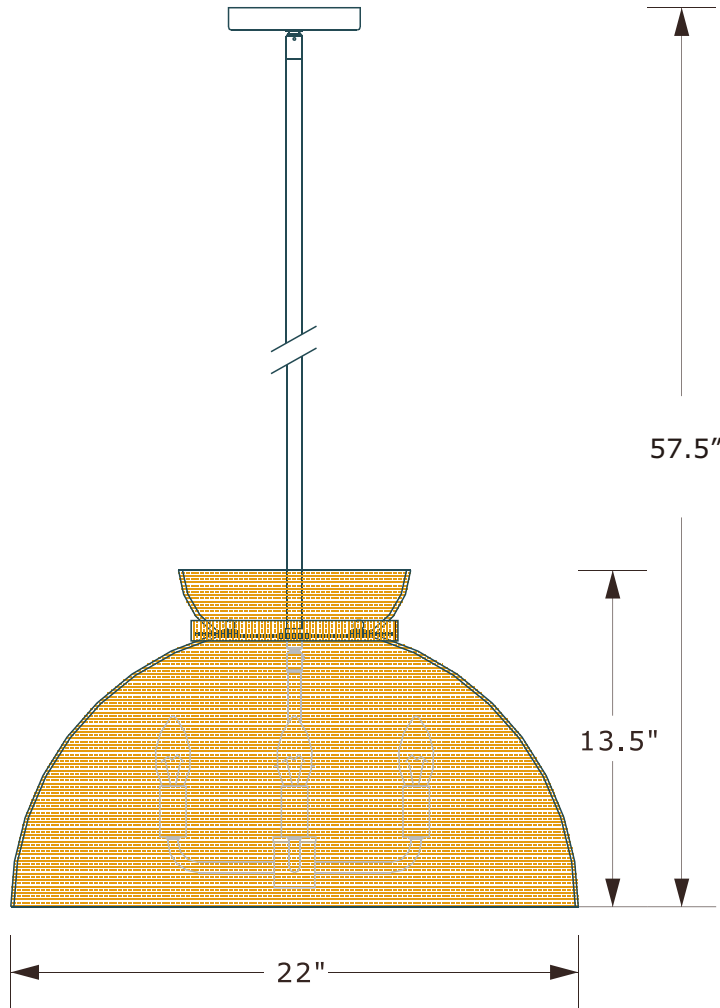




## ASSEMBLY INSTRUCTION MODEL # RES-10524-MT



All electrical components must be installed by a licensed electrician in accordance with the National Electric Code and the appropriate local electrical codes.



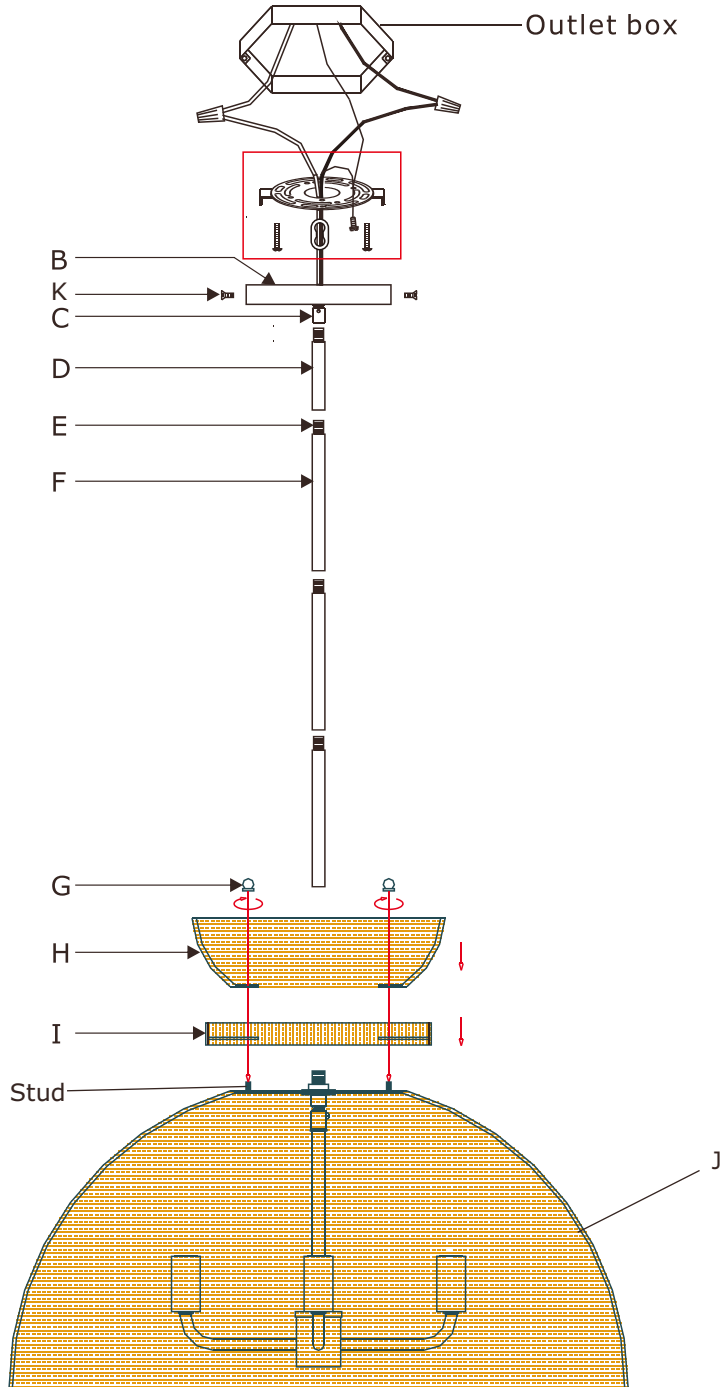
You will need 4 -Candelabra Base Bulb  
40 Watts Recommended 60 Watts Max.  
USE LED BULBS FOR EXTENDED USE  
THIS FIXTURE IS DAMP RATED

### How to Install

1. Place the jute band ring and the top jute dome over the stud on the bottom jute and secure with the ball nuts.
2. Decide the preferred hanging height and choose the correct length of stems needed.
3. Feed the wire through the stems and connect them together. Screw one end of the stem assembly onto the nipple on the top of the frame and the other end onto the swivel.
4. Install the mounting plate onto the outlet box.
5. Raise the fixture up onto the ceiling and do the wire connections. Secure the canopy onto the mounting.
6. Install the bulb onto the socket.



PART NUMBER MODEL #RES-10524-MT



## Part Number

- A. (1) - Mounting Hardware
- B. (1) - Canopy(W5.1", H0.9") #XRE10524MTCAN5.1IN
- C. (1) - Swivel
- D. (1) - Hanging Stem(6", 15.9mm) #XRE10524MTSTEM6IN
- E. (4) - Threaded Nipple
- F. (3) - Hanging Stem(12", 15.9mm) #XRE10524MTSTEM12IN
- G. (3) - Ball Nut
- H. (1) - Top Jute Dome
- I. (1) - Jute Band Ring
- J. (1) - Bottom Jute Dome
- K. (1) - Canopy Screw