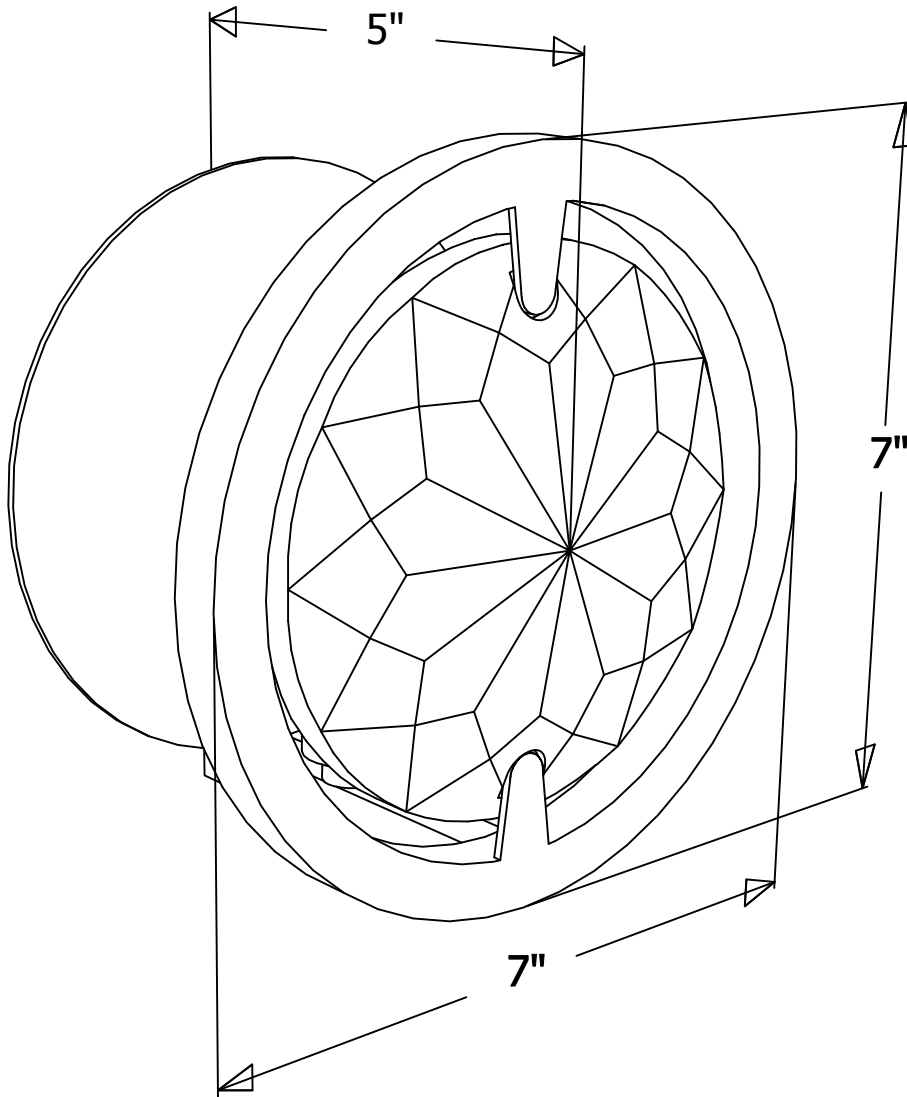


CRYSTORAMA

LIGHTING THE WAY FOR SIXTY YEARS

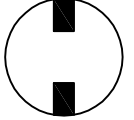
ASSEMBLY INSTRUCTION MODEL #QUI-7621-DT



WARNING:

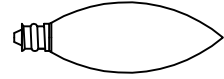


Electrical Danger



Turn Power Off

All electrical components must be installed by a licensed electrician in accordance with the National Electric Code and the appropriate local electrical codes.



You will need 1 - Candelabra Bulb
40 Watts Recommended 60 Watts Max.
USE LED BULBS FOR EXTENDED USE

How to Install

1. Attach mounting plate to the junction box using box screws.
2. Connect the fixture wires to the supply wires.
3. Connect the fixture to the mounting plate with screws.
4. Attach crystal to the frame with washer and ball nut.
5. Place candle sleeves onto the socket.
6. Install the bulb (Not included) in accordance with the fixture's specifications. (DO NOT EXCEED THE MAXIMUM WATTAGE RATING!)

CRYSTORAMA

LIGHTING THE WAY FOR SIXTY YEARS

PART NUMBER MODEL #QUI-7621-DT

Part Number

Part Numbers

- A. Mounting Hardware
 - (3) - Wire connector
 - (1) - Mounting Plate
 - (2) - Box Screws
 - (1) - Grounding Screw
- B. (2) - Screws
- C. (2) - Ball Nuts;
XVE7621DTNUT10MM
- D. (2) - Washer
- E. (1) - Crystal; Ø5"X"H1-1/2";
XVE7621DTCRY5IN
- F. (1) - Candle sleeve; H2";
XVE7621DTCDL2IN

