

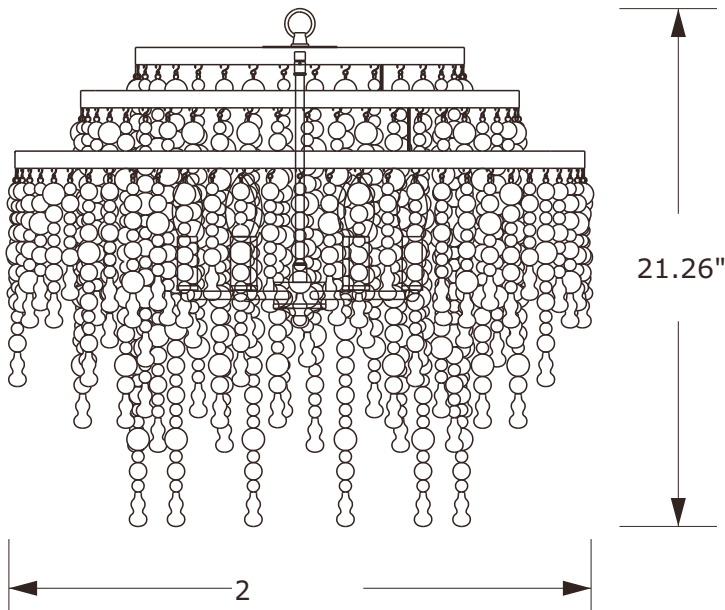
# CRYSTORAMA

LIGHTING THE WAY FOR SIXTY YEARS



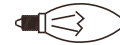
Crystorama.com

## ASSEMBLY INSTRUCTION MODEL #POP-A5076-MK-CL 6.5"



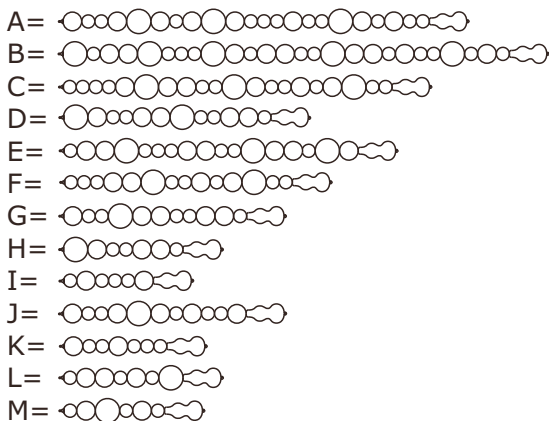
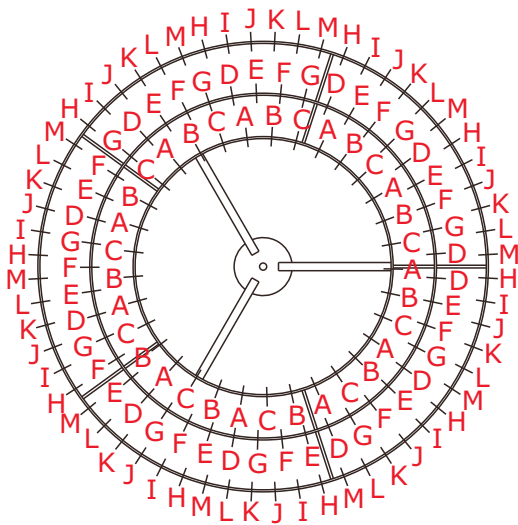
**WARNING:**  
Electrical Danger Turn Power Off

All electrical components must be installed by a licensed electrician in accordance with the National Electric Code and the appropriate local electrical codes.



You will need 6 -Candelabra Base Bulb  
40 Watts Recommended 60 Watts Max.  
USE LED BULBS FOR EXTENDED USE  
THIS FIXTURE IS DAMP RATED

### DETAILED ILLUSTRATION



### How to Install

1. Place the candle sleeve onto the socket, and insert recommended bulb (not included).
2. Feed wires through stem and swivel/loop.
3. Attach the stem onto the light cluster.
4. Attach the swivel/loop onto the stem.
5. Dress the bead strands as illustrated.

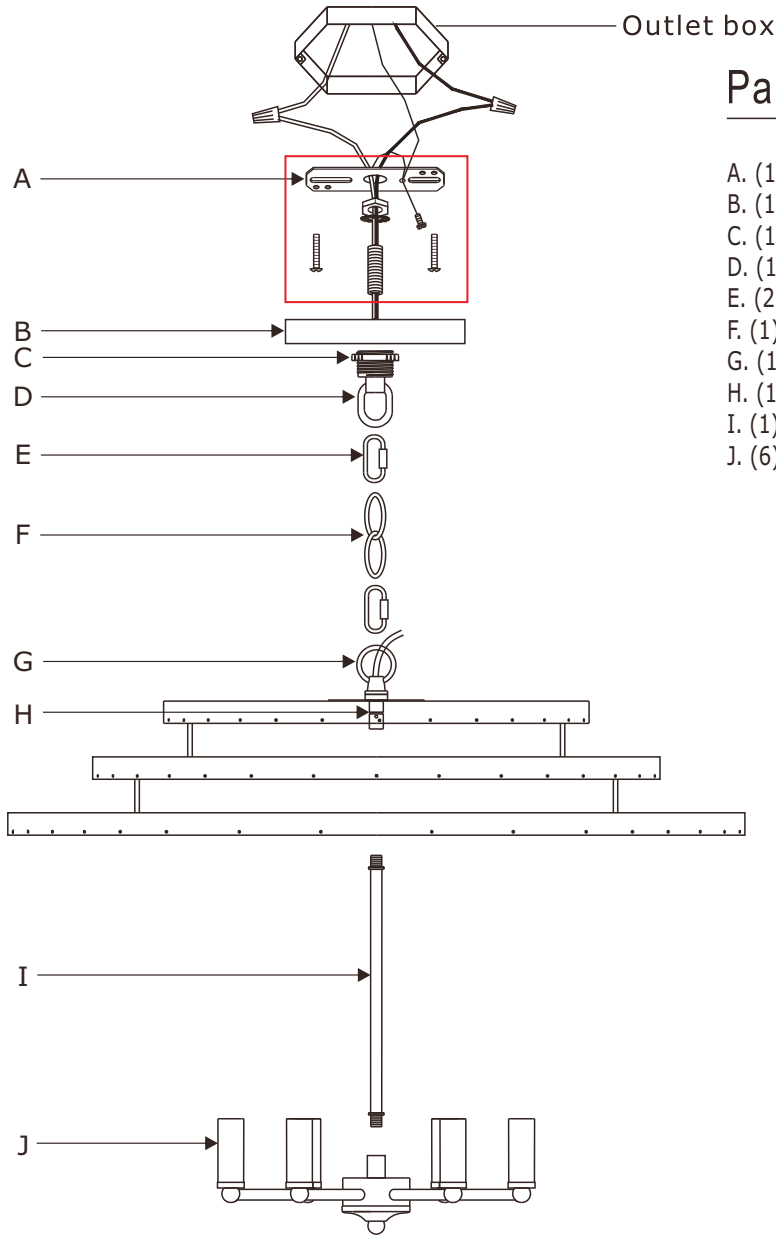
### Bead Sets .11 Sets.

- A (11)14mm + (8)20mm + (3)26mm + (1)(14-30)mm  
B.11 Sets.  
(12)14mm + (9)20mm + (5)26mm + (1)(14-30)mm  
C.11 Sets.  
(11)14mm + (6)20mm + (3)26mm + (1)(14-30)mm  
D.12 Sets.  
(5)14mm + (5)20mm + (2)26mm + (1)(14-30)mm  
E.11 Sets.  
(7)14mm + (7)20mm + (3)26mm + (1)(14-30)mm  
F.11 Sets.  
(8)14mm + (4)20mm + (2)26mm + (1)(14-30)mm  
G.11 Sets.  
(5)14mm + (5)20mm + (1)26mm + (1)(14-30)mm  
H.10 Sets.  
(3)14mm + (3)20mm + (1)26mm + (1)(14-30)mm  
I.10 Sets.  
(4)14mm + (2)20mm + (1)(14-30)mm  
J.10 Sets.  
(5)14mm + (5)20mm + (1)26mm + (1)(14-30)mm  
K.10 Sets.  
(5)14mm + (2)20mm + (1)(14-30)mm  
L.10 Sets.  
(3)14mm + (3)20mm + (1)26mm + (1)(14-30)mm  
M.10 Sets.  
(3)14mm + (2)20mm + (1)26mm + (1)(14-30)mm

**WARNING:** This product can expose you to Lead, which is known to the State of California to cause cancer and/or birth defects or reproductive harm. For more information go to [www.P65Warnings.ca.gov](http://www.P65Warnings.ca.gov).



**PART NUMBER** MODEL #POP-A5076-MK-CL



## Part Number

- A. (1) - Mounting Hardware
- B. (1) - Canopy(W4.73",H0.79") #XRE5076MKCAN4.73IN
- C. (1) - Collar Ring
- D. (1) - Collar Loop
- E. (2) - Quick Link
- F. (1) - Hanging Chain(72",4mm) #XRE5076MKCHA4MM
- G. (1) - Fixture Loop
- H. (1) - Swivel
- I. (1) - Center Stem(9.09",9.5mm) #XRE5076MKSTEM9IN
- J. (6) - Candle Sleeve(W0.87",H1.97") #XRE5073MKCDL1.97IN