

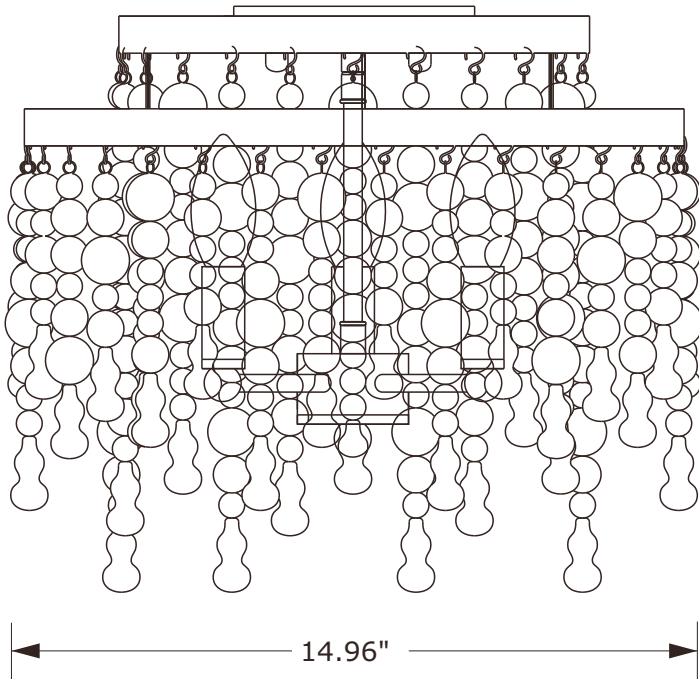
# CRYSTORAMA

LIGHTING THE WAY FOR SIXTY YEARS



Crystorama.com

## ASSEMBLY INSTRUCTION MODEL #POP-A5073-MK-FR



All electrical components must be installed by a licensed electrician in accordance with the National Electric Code and the appropriate local electrical codes.



You will need 3 -Candelabra Base Bulb  
40 Watts Recommended 60 Watts Max.  
USE LED BULBS FOR EXTENDED USE  
THIS FIXTURE IS DAMP RATED

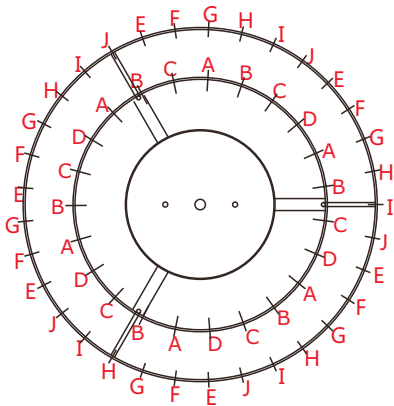
### How to Install

1. Place the candle sleeve onto the socket, and insert recommended bulb (not included).
2. Feed wires through swivel/canopy.
3. Attach the canopy/swivel onto the stem.
4. Dress the bead strands as illustrated.

### Bead Sets .6 Sets.

- A (5)14mm + (3)20mm + (2)26mm + (1)(14-30)mm .6 Sets.
- B (6)14mm + (5)20mm + (2)26mm + (1)(14-30)mm .6 Sets.
- C (7)14mm + (4)20mm + (1)26mm + (1)(14-30)mm .5 Sets.
- D (5)14mm + (3)20mm + (1)26mm + (1)(14-30)mm .6 Sets.
- E (3)14mm + (2)20mm + (1)26mm + (1)(14-30)mm .6 Sets.
- F (3)14mm + (1)20mm + (1)(14-30)mm .6 Sets.
- G (4)14mm + (3)20mm + (1)26mm + (1)(14-30)mm .5 Sets.
- H (3)14mm + (2)20mm + (1)(14-30)mm .5 Sets.
- I (2)14mm + (3)20mm + (1)26mm + (1)(14-30)mm .5 Sets.
- J (2)14mm + (2)20mm + (1)26mm + (1)(14-30)mm .5 Sets.

### DETAILED ILLUSTRATION

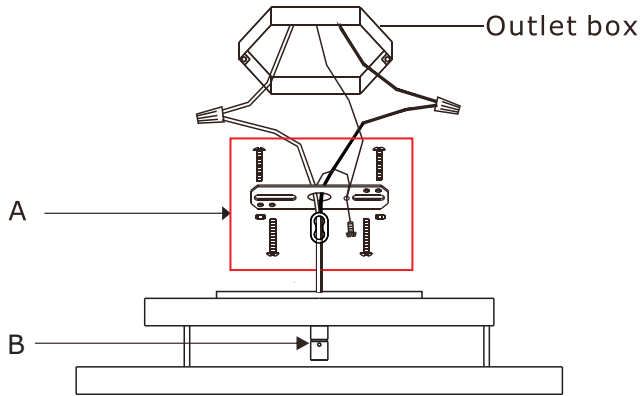


- A= [diagram of strand A]
- B= [diagram of strand B]
- C= [diagram of strand C]
- D= [diagram of strand D]
- E= [diagram of strand E]
- F= [diagram of strand F]
- G= [diagram of strand G]
- H= [diagram of strand H]
- I= [diagram of strand I]
- J= [diagram of strand J]

**WARNING:** This product can expose you to Lead, which is known to the State of California to cause cancer and/or birth defects or reproductive harm. For more information go to [www.P65Warnings.ca.gov](http://www.P65Warnings.ca.gov).



**PART NUMBER** MODEL #POP-A5073-MK-FR



## Part Number

- A. (1) - Mounting Hardware
- B. (1) - Swivel
- C. (1) - Center Stem
- D. (3) - Candle Sleeve(W0.87", H1.97") #XRE5073MKCDL1.97IN

