

CRYSTORAMA

LIGHTING THE WAY FOR SIXTY YEARS

ASSEMBLY INSTRUCTION MODEL#PKR-B8501-BF_CEILING



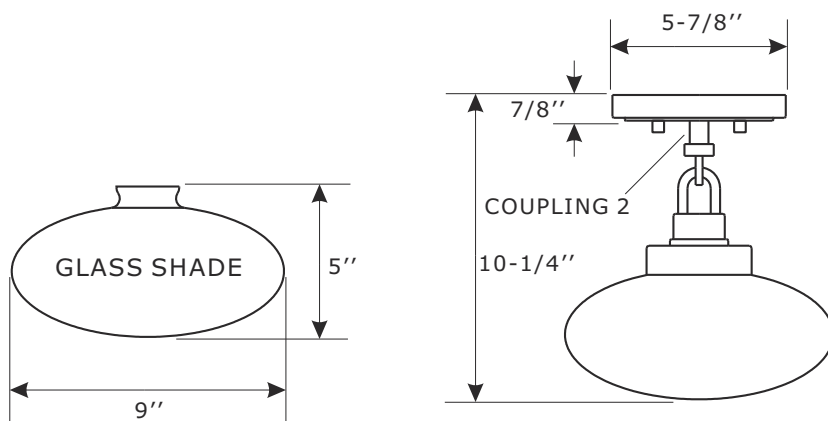
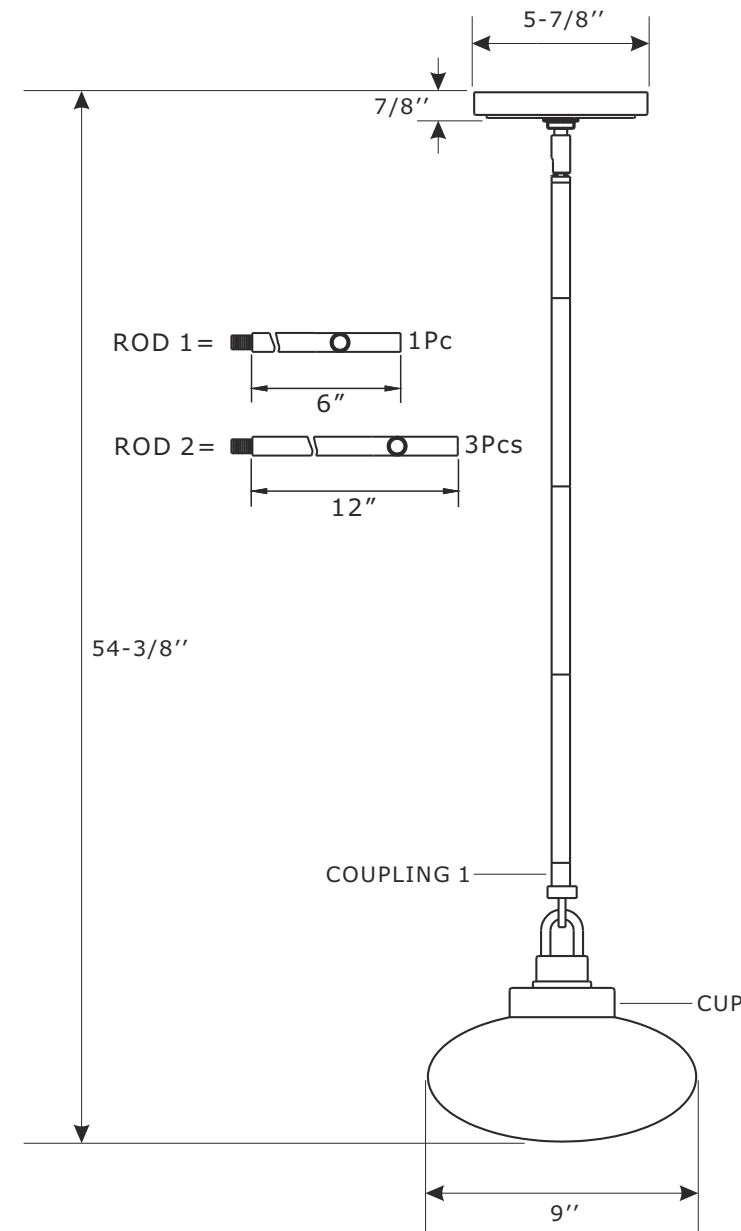
All electrical components must be installed by a licensed electrician in accordance with the National Electric Code and the appropriate local electrical codes.



You will need 1-Medium Base Bulb
Type B10 60 Watts Max.

USE LED BULBS FOR EXTENDED USE

This fixture is Damp rated



How to install

For hanging:

1. Slip cup over the loop kit onto the top of the glass.
2. Determine the preferred hanging height and adjust to the required rods.
3. Feed the wires through the rods and connect them together.
4. Slip collar ring and canopy over the rod assembly.
5. Slip mounting strap with swivel along wire and thread it into the top of the rod assembly.
6. Raise fixture up and attach mounting strap to the outlet box using two outlet box screws.
7. Slip canopy up along rods and over mounting strap with swivel and hold in its position. Slip collar ring up to canopy and thread it onto screw collar, to secure canopy.

For ceiling:

1. Remove coupling 1 from top of loop kit.
2. Screw the coupling 2 onto the loop kit and slip the cup over it.
3. thread the nipple into the coupling 2.
4. Slip the canopy and the lock washer over the nipple, then secure with the big hex nut.
5. Thread the mounting screws into the matching holes of the mounting bar, and tighten with the small hex nut.
6. Secure the mounting bar to the outlet box with the outlet box screws.
7. Raise canopy allowing the mounting screws to protrude through the holes in the canopy, and secure with the finials.
8. Install the bulb(not included) into socket.
9. To install glass, move the cup upward.
10. Raise the glass shade into the glass holder and tighten it using the screws.

HOW TO REPLACE THE BULB

1. Raise the cup on top of glass up.
2. Remove the 3 screws on the side of glass.

WARNING: This product can expose you to Lead which is known to the state of California to cause cancer and/or birth defects or reproductive harm. For more information go to www.P65Warnings.ca.gov

CRYSTORAMA

LIGHTING THE WAY FOR SIXTY YEARS

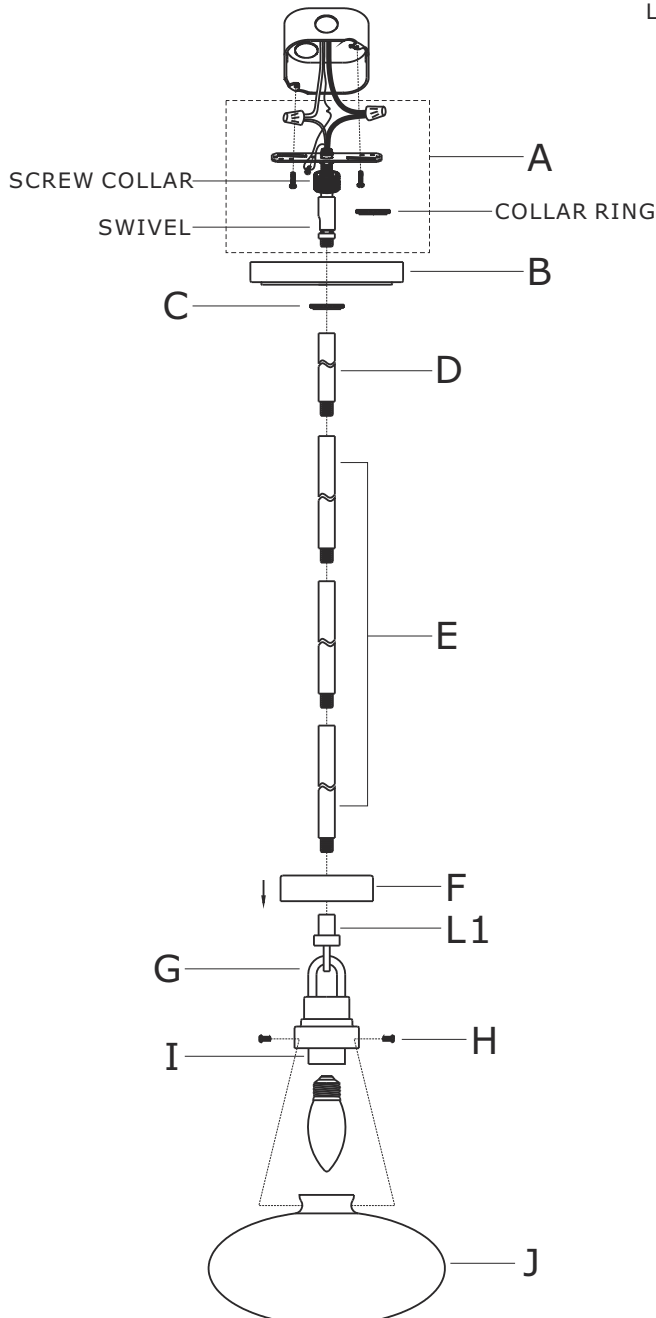
ASSEMBLY INSTRUCTION MODEL#PKR-B8501-BF_CEILING

Part Number

Part Numbers

- A. (1)-Mounting hardware
- B. (1)-Canopy W5-7/8"xH7/8" #XRF8501BFCANH
- C. (1)-Collar ring
- D. (1)-Rod D5/8"xL6" #XRF8501BFROD6IN
- E. (3)-Rod D5/8"xL12" #XRF8501BFROD12IN
- F. (1)-Cup
- G. (1)-Loop
- H. (3)-Screw
- I. (1)-Socket
- J. (1)-Glass shade #XRF8501GLA9IN
- K. (1)-Canopy with 2-hole W5-7/8"xH7/8" #XRF8501BFCANC
- L1. (1)-Coupling 1
- L2. (1)-Coupling 2

FOR HANGING:



FOR CEILING:

