

CRYSTORAMA

LIGHTING THE WAY FOR SIXTY YEARS



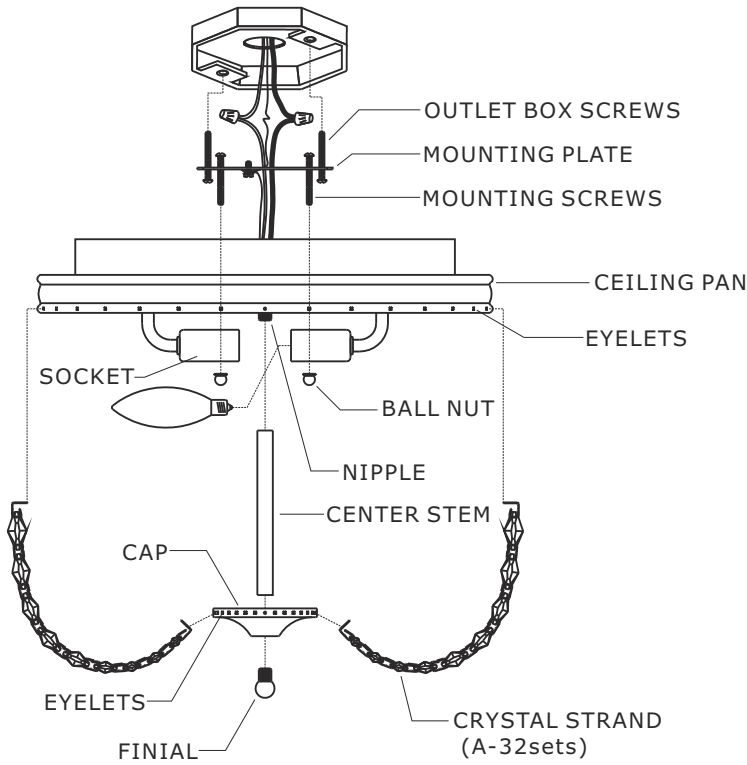
ASSEMBLY INSTRUCTION MODEL#NOL-314-VG-CLMWP



All electrical components must be installed by a licensed electrician in accordance with the National Electric Code and the appropriate local electrical codes.

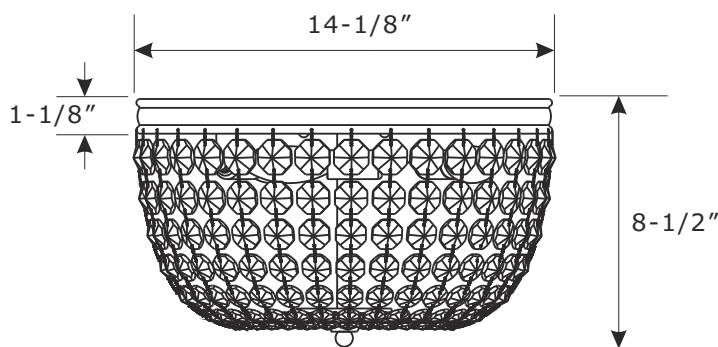


You will need 3- Candelabra Base Bulb
40 Watts Recommended 60 Watts Max.
USE LED BULBS FOR EXTENDED USE
This fixture is Damp rated



How to install

1. Install the mounting screws into the matching holes in the mounting plate. Secure the mounting plate to outlet box with the outlet box screws.
2. Raise ceiling pan allowing the mounting screws to protrude through the holes in the ceiling pan, and secure with the ball nut.
3. Thread the center rod onto the nipple of ceiling pan.
4. Install the bulbs(not included) into the socket.
5. Secure the cap to bottom of center rod with the finial.
6. Dress the crystal strands as illustrated.
(Adjust the strands to be straight if it turns sideways)



(30mm+28mm+26mm+24mm+22mm+18mm+14mmx2PCS+12mm)x32sets

WARNING: This product can expose you to Lead which is known to the state of California to cause cancer and/or birth defects or reproductive harm. For more information go to www.P65Warnings.ca.gov



Part Number

Part Numbers

- A. (1)-Mounting hardware
- B. (1)-Ceiling pan
- C. (3)-Socket
- D. (2)-Ball nut #XRF312VGNBANUT
- E. (1)-Center stem W1/2"xL6-7/8" #XRF312VGNSTEM6.875IN
- F. (1)-Cap #XRF314VGNCAP
- G. (1)-Finial #XRF312VGNFIN

