

CRYSTORAMA

LIGHTING THE WAY FOR SIXTY YEARS

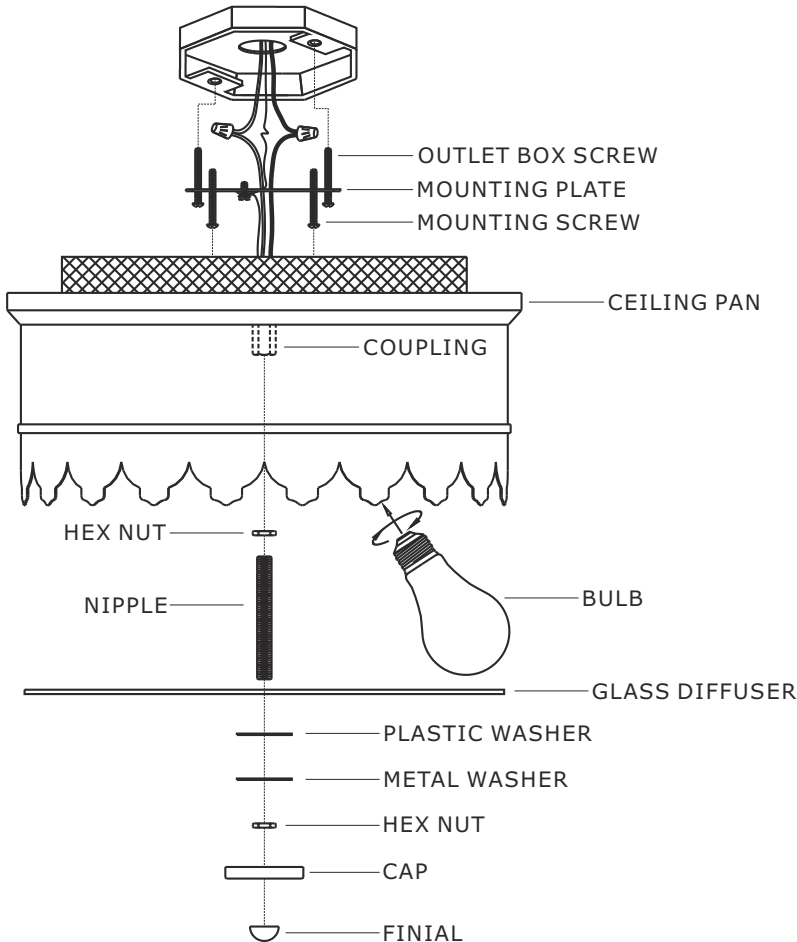
ASSEMBLY INSTRUCTION MODEL#NIN-A3903-MT



All electrical components must be installed by a licensed electrician in accordance with the National Electric Code and the appropriate local electrical codes.

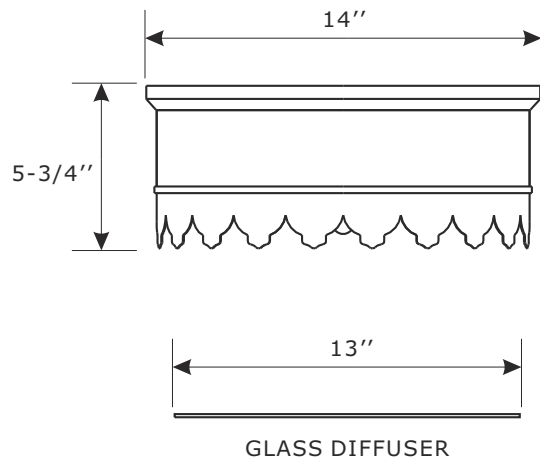


You will need 3-Medium Base Bulb
40 Watts Recommended 60 Watts Max.
USE LED BULBS FOR EXTENDED USE



How to install

1. Thread the mounting screws into the matching holes in the mounting plate. Secure the mounting plate to outlet box with the outlet box screws.
2. Connect fixture wires to supply wires in outlet box.
3. Raise ceiling pan up allowing for the mounting screws to protrude through key slots. Rotate ceiling pan clockwise until mounting screws are in narrow part of key slots, tighten with screwdriver.
4. Install the bulb(not included) into socket.
5. Thread the hex nut onto the nipple and thread the nipple into the coupling.
6. Slide the glass diffuser the plastic washer and the metal washer over the nipple, then secure with the hex nut.
7. place the cap over the nipple and secure with the finial.



WARNING: This product can expose you to Lead which is known to the state of California to cause cancer and/or birth defects or reproductive harm. For more information go to www.P65Warnings.ca.gov

CRYSTORAMA

LIGHTING THE WAY FOR SIXTY YEARS

ASSEMBLY INSTRUCTION MODEL#NIN-A3903-MT

Part Number

Part Numbers

- A. (1)-Mounting hardware
- B. (1)-Ceiling pan
- C. (2)-Hex nut
- D. (1)-Nipple
- E. (1)-Glass diffuser #XRF3903DIF
- F. (1)-Plastic washer
- G. (1)-Metal washer
- H. (1)-Cap
- I. (1)-Finial #XRF3903MTFIN

