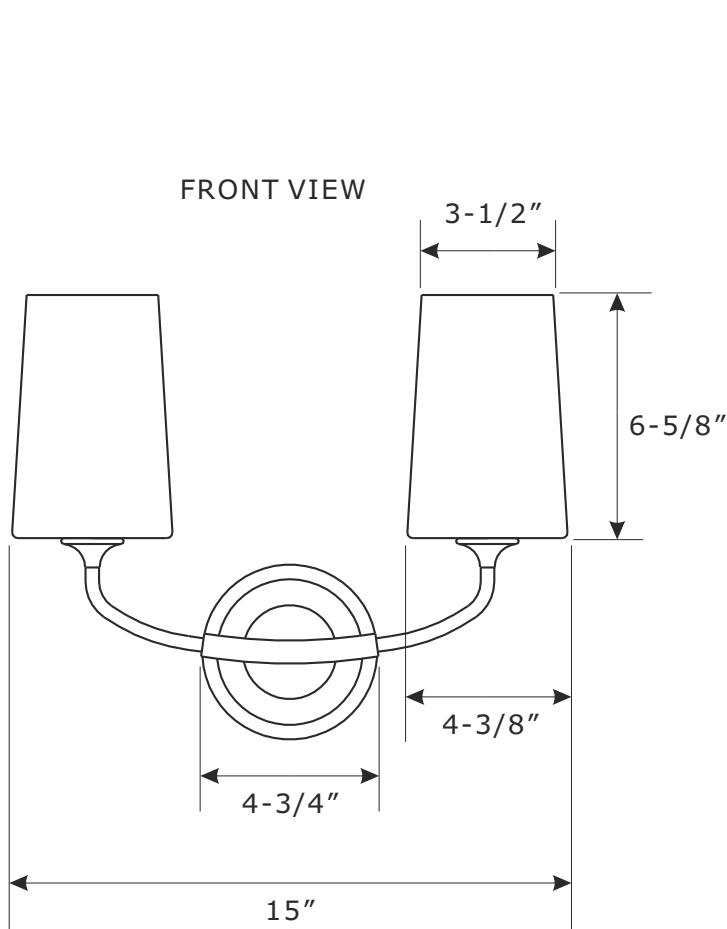




ASSEMBLY INSTRUCTION MODEL#NIL-70012-BFMG



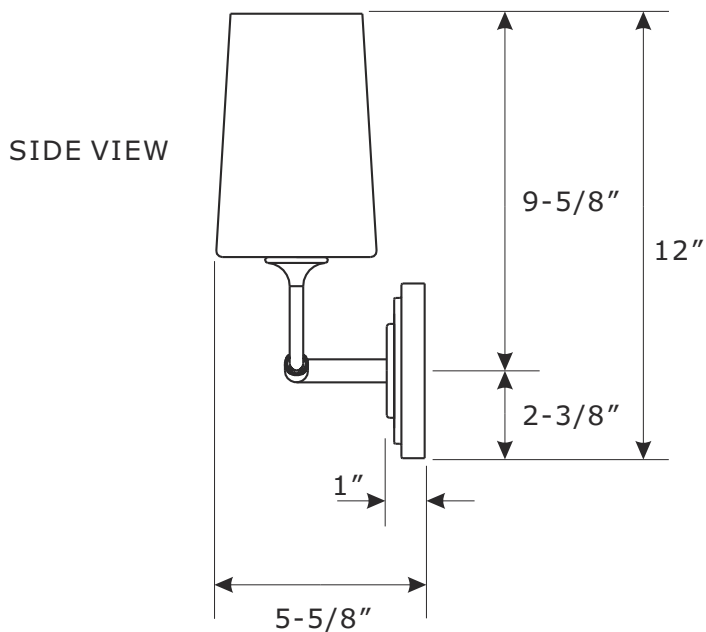
All electrical components must be installed by a licensed electrician in accordance with the National Electric Code and the appropriate local electrical codes.



You will need 2- Candelabra Base Bulb
40 Watts Recommended 60 Watts Max.
USE LED BULBS FOR EXTENDED USE
This fixture is Damp rated

How to install

1. Install the mounting plate to the outlet box using two outlet box screws.
2. Install backplate onto the mounting plate, and secure with the screws.
3. Install the glass shade and spacer over the socket, and secure with the socket ring using a wrench.
4. Install the bulb(not included) into the socket.





ASSEMBLY INSTRUCTION MODEL#NIL-70012-BFMG

Part Number

Part Numbers

- A. (1)-Mounting hardware
- B. (1)-Mounting plate
- C. (1)-Backplate W4-3/4"xH1" #XRF70012BFMGBKP4.7IN
- D. (2)-Screw
- E. (2)-Socket
- F. (2)-Glass shade #XRF70012BFMGGLA6.6IN
- G. (2)-Spacer
- H. (2)-Socket ring
- I. (1)-Wrench

