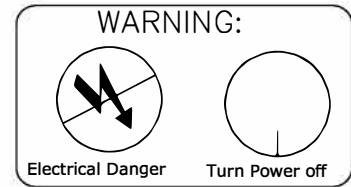


# CRYSTORAMA

LIGHTING THE WAY FOR SIXTY YEARS



## ASSEMBLY INSTRUCTION MODEL #MLR-202-PN

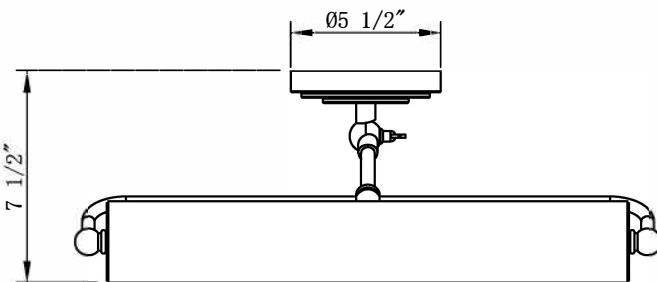
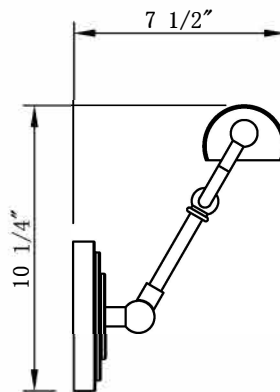
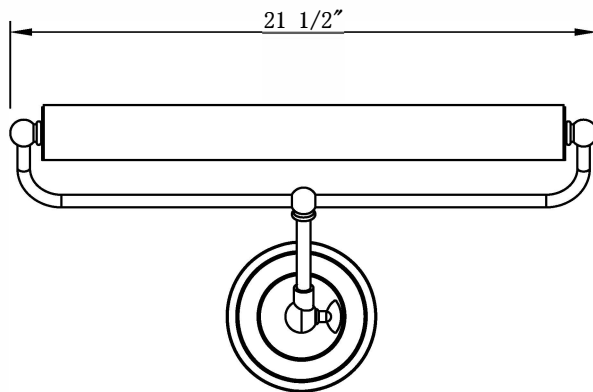


All electrical components must be installed by a licensed electrician in accordance with the National Electric Code and the appropriate local electrical codes.



Fixture uses integrated LED(included)  
12 Watts Max.

**THIS FIXTURE IS DAMP RATED**

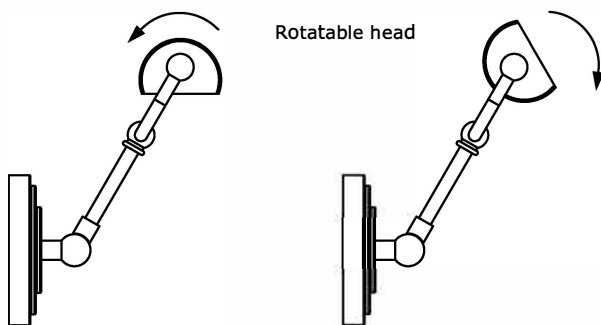


Please place the fixture frame on a soft cloth covered table before the installation.

1. Install the mounting plate onto the Junction box using two Junction box screws.
2. Attach the Back plate onto the mounting plate. Secure with screws.
3. Adjust the lamp body to the desired angle.

### Replacement Glass diffuser

1. Loosen the Screw(H) using the wrench and then Long Screw(G) using the screw driver.(Set them aside)
2. Gently pull the long arm outwards to remove the Washer(J),Cover Plate(K) and turn the Lamp Body(L) sideways to take the EVA Strip(N) and Glass Diffuser(M) out of the lamp body.
3. Insert the new glass diffuser and EVA strip into the lamp body.
4. Put the cover plate and washer back then turn the lamp body back to align the hole on the arm end with the hole on the lamp body. Secure the arm with the long screw and set screw.



**WARNING:** This product can expose you to Lead which is known to the state of California to cause cancer and/or birth defects or reproductive harm. For more information go to [www.P65Warnings.ca.gov](http://www.P65Warnings.ca.gov)

# CRYSTORAMA

LIGHTING THE WAY FOR SIXTY YEARS

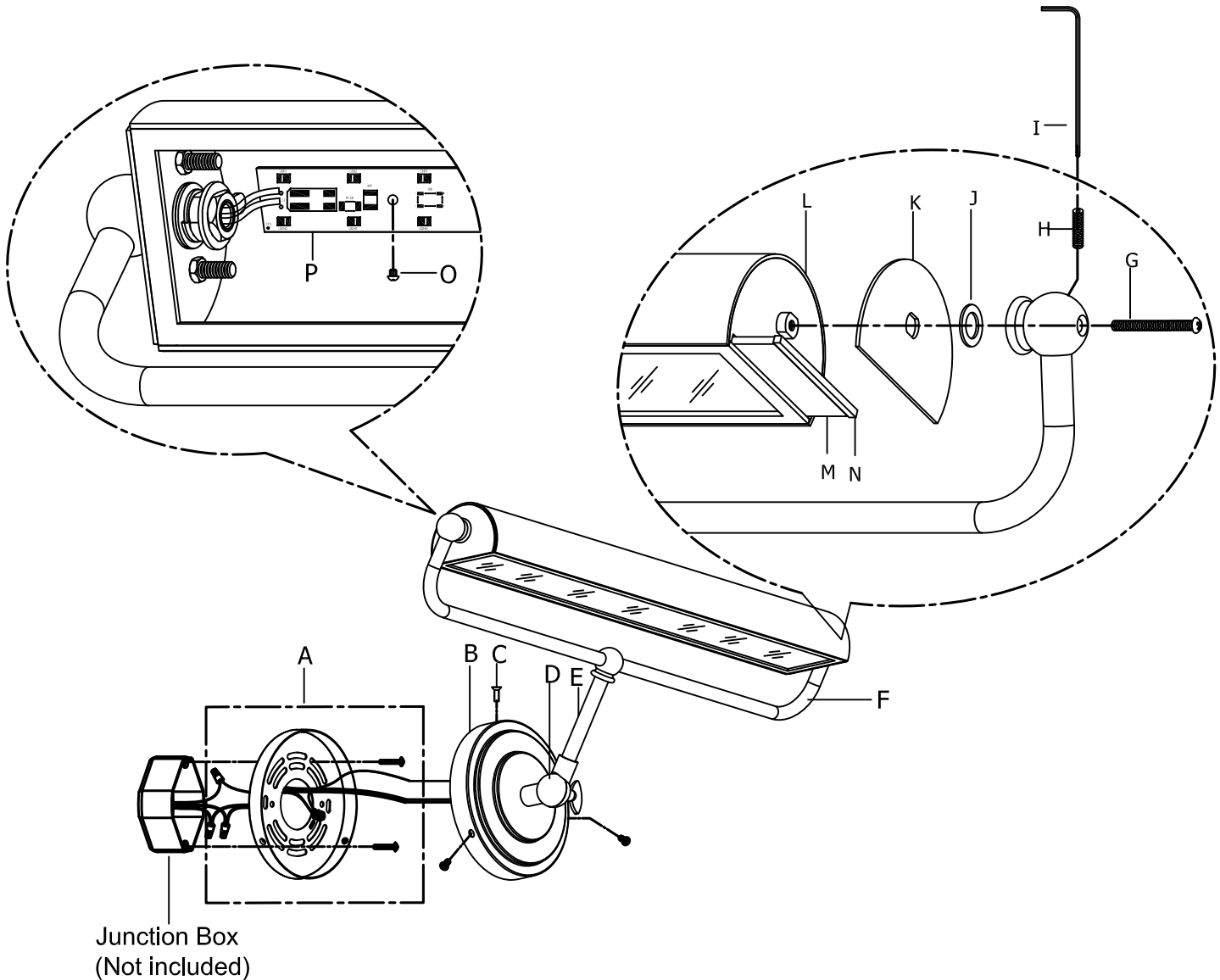


ASSEMBLY INSTRUCTION MODEL #MLR-202-PN

## Part Number

### Part Numbers

- A. (1)-Mounting Hardware
- B. (1)-Back Plate W5.5" x H1.2" (XFW202PNBKP5.5IN)
- C. (3)-Screw
- D. (1)-Locking Device
- E. (1)-Swing Arm
- F. (1)-Long Arm
- G. (1)-Long Screw
- H. (1)-Set Screw
- I. (1)-Wrench
- J. (1)-Washer
- K. (1)-Cover Plate
- L. (1)-Lamp Body
- M. (1)-Glass Diffuser W2.6" x H19" (XFW202DIF19IN)
- N. (1)-EVA Strip
- O. (3)-Screw
- P. (1)-Led Board (XFW202LEDBRD)



Junction Box  
(Not included)