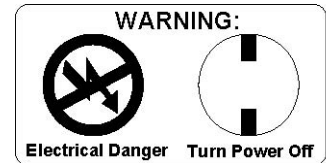
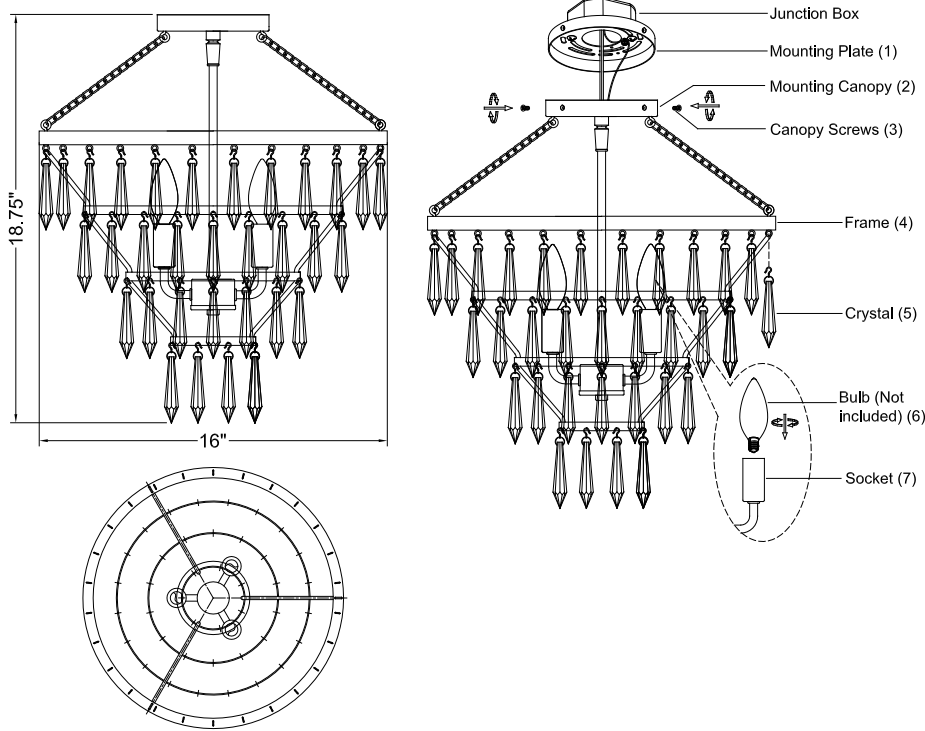


CRYSTORAMA

LIGHTING THE WAY FOR SIXTY YEARS

ASSEMBLY INSTRUCTION MODEL #LUC-A9063-SA

Drawing (1)



All electrical components must be installed by a licensed electrician in accordance with the National Electric Code and the appropriate local electrical codes.



**You will need 3—Candelabra
40 Watts Recommended 60 Watts Max
USE LED BULBS FOR EXTENDED USE**

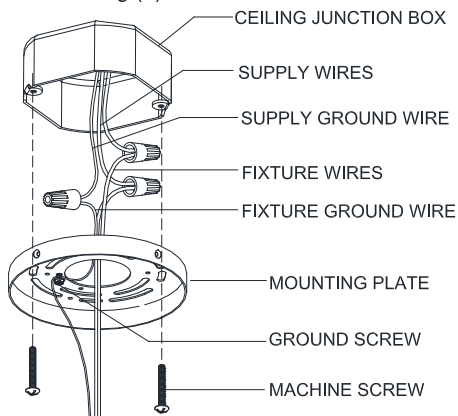
How to Install:

1. Attach Mounting Plate (1) to Junction Box.
2. Install the Bulb (6) to the Socket (7).
3. Raise the Mounting Canopy (2) over the Mounting Plate (1), aligning the 3 holes on the Mounting Canopy (2) with the 3 threaded holes on the Mounting Plate (1). Insert the Canopy Screws (3) and tighten to secure the Mounting Canopy (2).
4. Hook the Crystals (5) to the Frame (4).

Bulb replacement:

1. Install the Bulb (6) into the Socket (7).

Drawing (2)

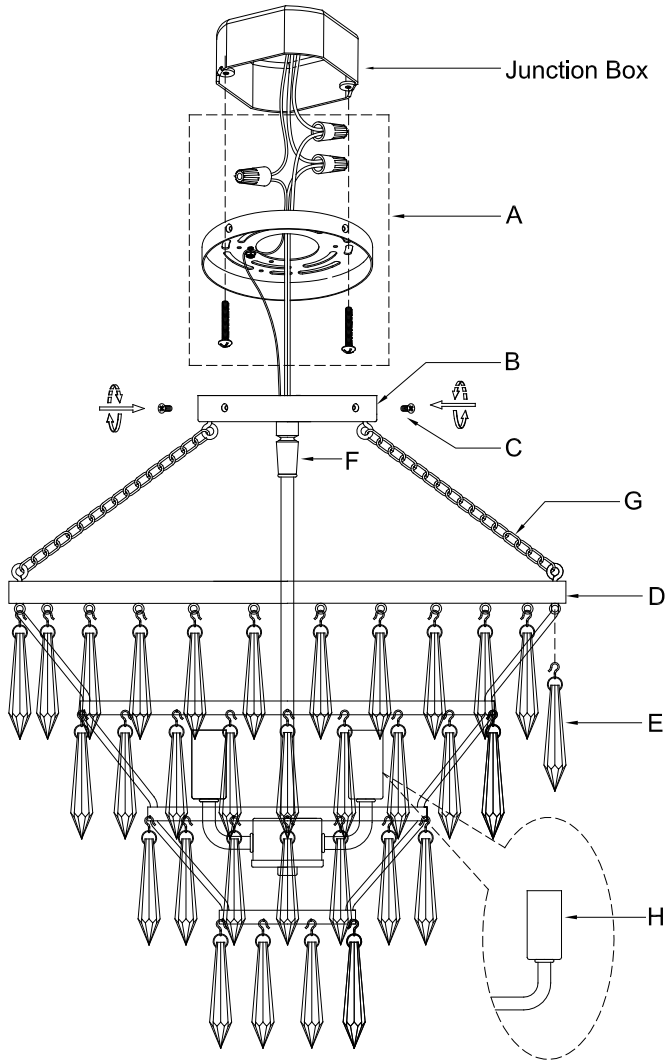


WARNING: This product can expose you to lead, which is known to the state of California to cause cancer and / or birth defects or reproductive harm. For more information go to www.P65warnings.ca.gov

CRYSTORAMA

LIGHTING THE WAY FOR SIXTY YEARS

ASSEMBLY INSTRUCTION MODEL #LUC-A9063-SA



Part Number

Part Numbers

- A. (1) Mounting Hardware
- B. (1) Mounting Canopy; w5" x h1.25" (XFW9063SACAN5IN)
- C. (3) Canopy Screws; w0.15" x h0.47"
- D. (1) Frame
- E. (69) Crystals (Includes (2) extra); w0.63" x h3.05" (XFW9063CRY3.05IN)
- F. (1) Swivel
- G. (3) Small Chain; w0.47" x h6.75" (XFW9063SADECHA6.75IN)
- H. (3) Socket (H2 ")