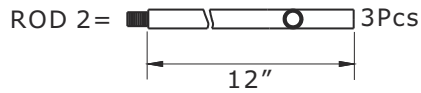
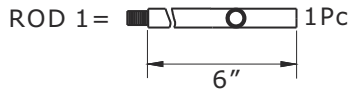


# CRYSTORAMA

LIGHTING THE WAY FOR SIXTY YEARS

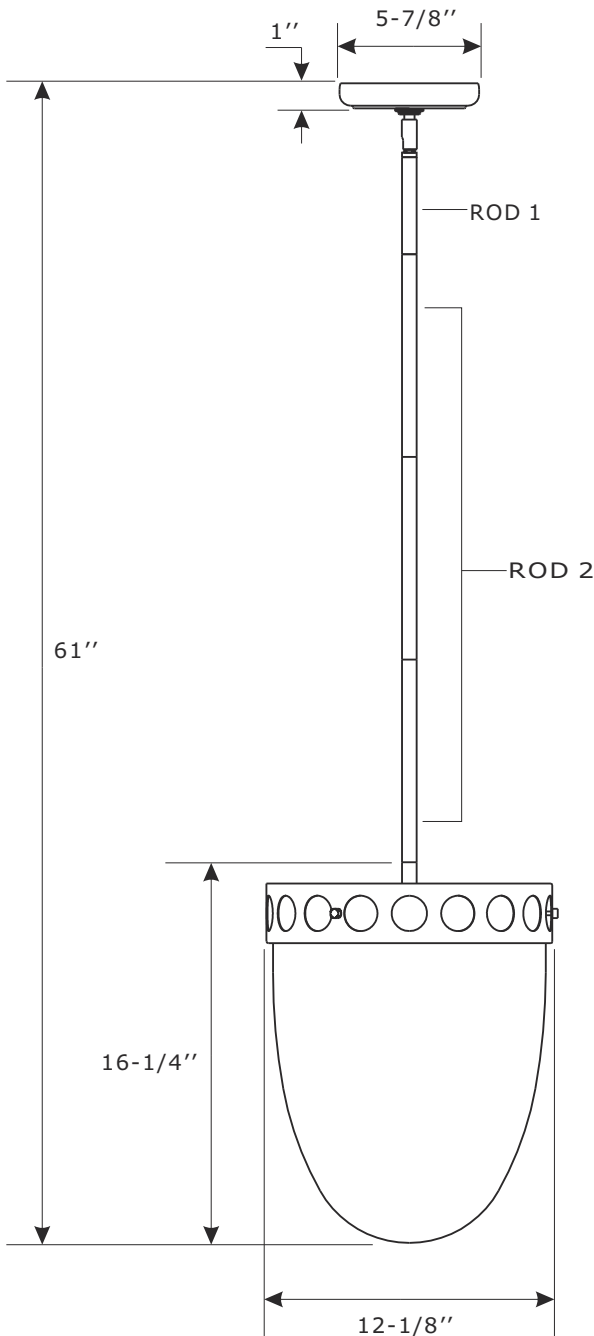
ASSEMBLY INSTRUCTION MODEL#KIR-B8103-BF



All electrical components must be installed by a licensed electrician in accordance with the National Electric Code and the appropriate local electrical codes.

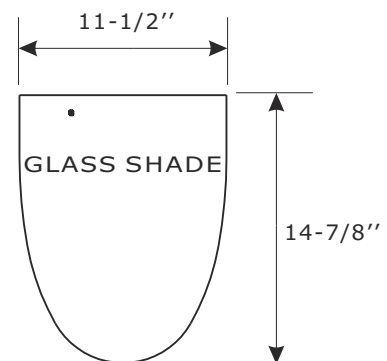


You will need 3- Candelabra Base Bulb  
40 Watts Recommended 60 Watts Max.  
USE LED BULBS FOR EXTENDED USE  
This fixture is Damp rated



## How to install

1. Put the banding ring over the glass shade and line up the holes on the banding ring with the holes on the glass shade. Insert the screws into the holes and secure each screw with a plastic washer and cap nut.
2. Determine the preferred hanging height and adjust the required rods.
3. Feed the wires through the rods and connect them together.
4. Slip collar ring and canopy over the rod assembly.
5. Slip mounting strap with swivel along wire and thread it into the top of the rod assembly.
6. Raise fixture up and attach mounting strap to the outlet box using two outlet box screws.
7. Slip canopy up along rods and over mounting strap with swivel and hold it in position. Slip collar ring up to canopy and thread it onto screw collar, to secure canopy.
8. Install the bulb(not included) into the socket.



**WARNING:** This product can expose you to Lead which is known to the state of California to cause cancer and/or birth defects or reproductive harm. For more information go to [www.P65Warnings.ca.gov](http://www.P65Warnings.ca.gov)

# CRYSTORAMA

LIGHTING THE WAY FOR SIXTY YEARS

ASSEMBLY INSTRUCTION MODEL#KIR-B8103-BF

## Part Number

### Part Numbers

- A. (1)-Mounting hardware
- B. (1)-Canopy W5-7/8"xH1"-1/8" #XRF8103BFCAN5.875IN
- C. (1)-Collar ring
- D. (1)-Rod D5/8"xL6" #XRF8103BFROD6IN
- E. (3)-Rod D5/8"xL12" #XRF8103BFROD12IN
- F. (3)-Screw
- G. (3)-Plastic washer
- H. (3)-Cap nut #XRF8103BFCAPNUT
- I. (1)-Glass shade W11-1/2"xH14-7/8" #XRF8103SHA11.5IN
- J. (3)-Socket

