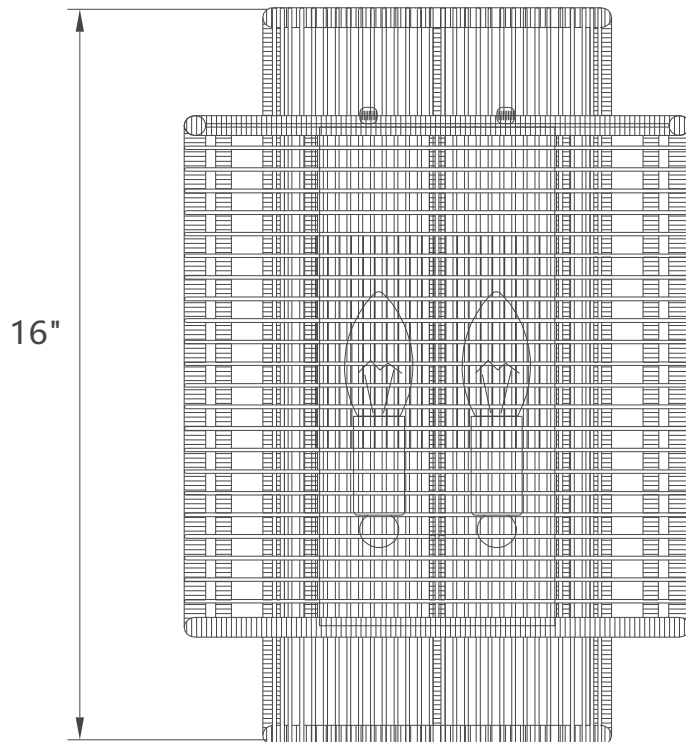
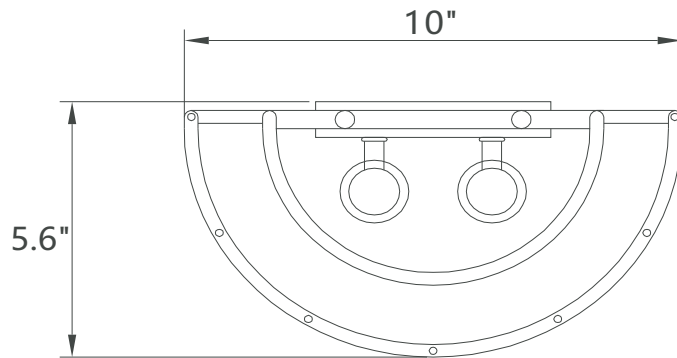


SHADES OF LIGHT

14001 Justice Road • Midlothian, Virginia 23113 • Phone (800) 262-6612 • Fax (804) 665-1465

SHADESOFLIGHT.COM

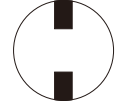
MODEL#: JAY-A5002X-MT ASSEMBLY AND DRESSING INSTRUCTIONS



WARNING:



Electrical Danger



Turn Power Off

All electrical components must be installed by a licensed electrician in accordance with the National Electric Code and the appropriate local electrical codes.




You will need 2 -Candelabra Base Bulb
40 Watts Recommended 60 Watts Max.

USE LED BULBS FOR EXTENDED USE
THE FIXTURE IS DAMP RATED

How to Install

1. Do a complete check of all parts and components before you start installation.
2. Install the backplate onto the outlet box, securing it with the ball nuts.
3. Place the metal frame over the backplate and secure it with ball nuts.

 **WARNING:** This product can expose you to Lead, which is known to the State of California to cause cancer and/or birth defects or reproductive harm. For more information go to www.P65Warnings.ca.gov.

SHADES OF LIGHT

14001 Justice Road • Midlothian, Virginia 23113 • Phone (800) 262-6612 • Fax (804) 665-1465

SHADESOFLIGHT.COM

MODEL#: JAY-A5002X-MT ASSEMBLY AND DRESSING INSTRUCTIONS

Part Number

- A. (1) - Mounting Hardware
- B. (4) - Ball Nut #XRE5002MTBANUT
- C. (1) - Backplate(L11",W4.72",D1") #XRE5002MTBKP11IN
- D. (2) - Metal Frame

