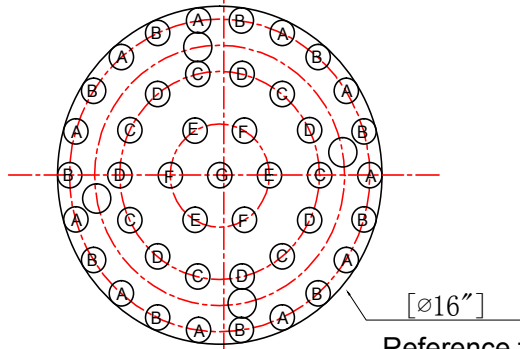
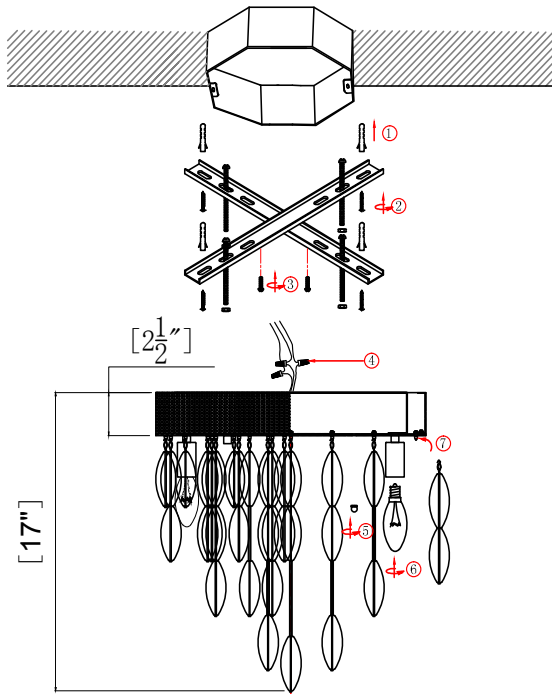


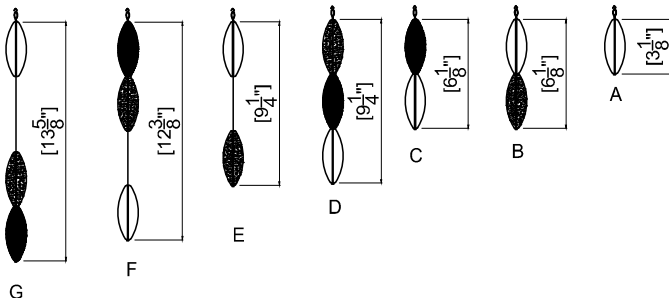
CRYSTORAMA

LIGHTING THE WAY FOR SIXTY YEARS

ASSEMBLY INSTRUCTION MODEL #HUD-A2214-CH



Reference for how to dress
 Note: Hang glass strand "A" and
 "B" alternating, "C" and "D"
 alternating, "E" and "F" alternating



All electrical components must be installed by a licensed electrician in accordance with the National Electric Code and the appropriate local electrical codes.



You will need 4 Candelabra Base Bulb
 40 Watts Recommended 60 Watts Max.
 USE LED BULBS FOR EXTENDED USE

How to install the crossbar

1. Place the crossbar over the outlet box and mark the 4 points on ceiling at the center of keyholes.
2. Drill the holes on the marked points and insert the wall anchor.
3. Place the crossbar over the outlet box and secure it by anchor screws.

How to install

1. Do a complete inventory of all parts and components before you start installing.
2. Fasten mounting hardware to junction box with machine screws. After wires are connected, place fixture against mounting surface allowing the machine screws to pass through the canopy, secure with cap nuts.
3. After safely attaching fixture into junction box, install bulbs and proceed to connecting the power.
4. Apply glass strands by starting with strand G, then install strands E, F, C, D, A and B.

Glass Strands

- A. 11sets L3 1/8"
- B. 11sets L6 1/8"
- C. 7 sets L6 1/8"
- D. 7 sets L9 1/4"
- E. 3 sets L9 1/4"
- F. 3 sets L12 3/8"
- G. 1 set L13 5/8"

WARNING: This product can expose you to Lead, which is known to the State of California to cause cancer and/or birth defects or reproductive harm. For more information go to www.P65Warnings.ca.gov

CRYSTORAMA

LIGHTING THE WAY FOR SIXTY YEARS

PART NUMBER MODEL #HUD-A2214-CH

Part Number

Part Numbers

A. (1)-Mounting Hardware

Including:

- (1)-crossbar
- (4)-wall anchor
- (4)-anchor screw
- (4)-machine screw

B. (1)-Canopy; $\phi 16 \frac{1}{5} \times H2 \frac{2}{5}$ "
(XBN2214CHCAN16IN)

C. (2)-Cap nuts (XBN2214CHBANUT)

D. (4)-Candle Sleeve $\phi 1" \times L2"$
(XBN2214CHCDL2IN)

