

CRYSTORAMA



LIGHTING THE WAY FOR SIXTY YEARS

ASSEMBLY INSTRUCTION MODEL #HAY-1409-PN

There is a safety cable supplied with this fixture, as it weighs over 50lbs. The fixture should be mounted to the ceiling independent of the outlet box.



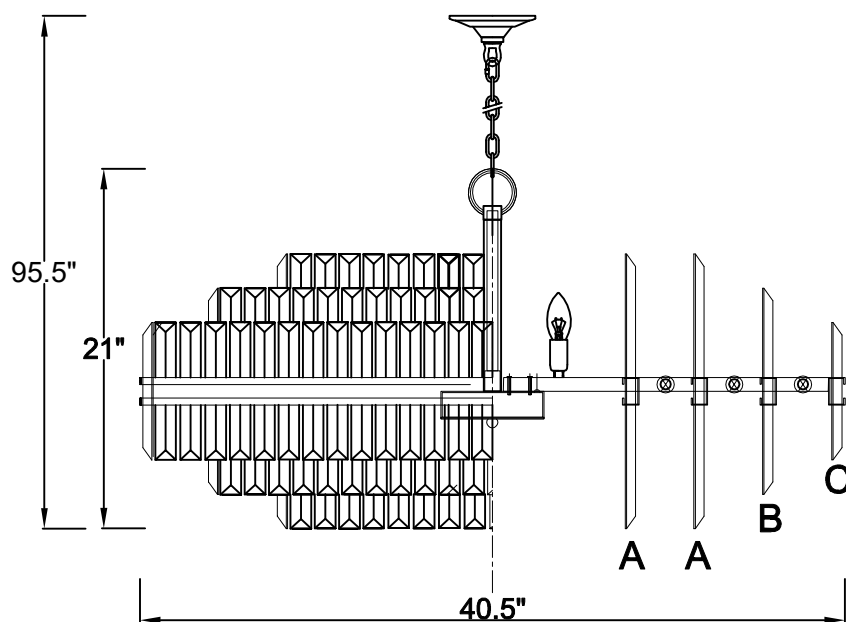
All electrical components must be installed by a licensed electrician in accordance with the National Electric Code and the appropriate local electrical codes.



You will need 32-Candelabra Base Bulb
25 Watts Recommended 25 Watts Max

USE LED BULBS FOR EXTENDED USE

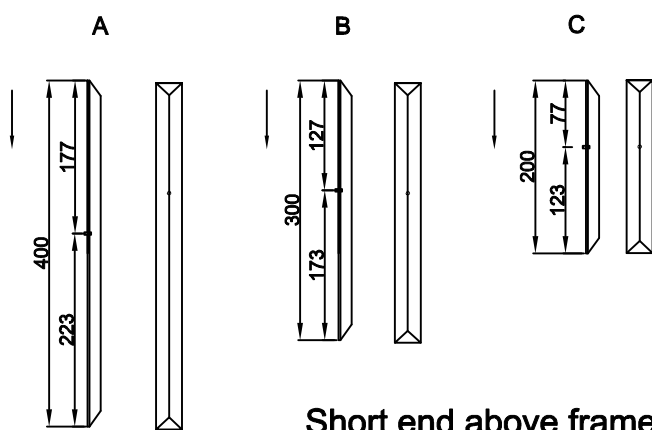
This fixture is Dry rated



How to Install

1. Screw the threaded pipe into the coupler and slide the metal tube over the threaded pipe. Slide check ring over the top of metal tube and secure with fixture loop.
3. After safety attaching fixture into outlet box, install bulbs (not included) and proceed to connecting the power.
4. When you begin to dress the fixture, start with crystal labeled (A).
5. **IMPORTANT:** Apply crystal sets in alphabetical order.

DETAILED ILLUSTRATION



Installation of Safety Cable

1. Pass the long threaded pipe on the hickey through the center of outlet box. Attach it to the ceiling joist and secure it with nuts.
2. Feed wires and safety cable up through chain and the hole of screw collar loop. Have the wires and safety cable exit through the side of hickey.
3. Feed safety cable through the cable lock and coil it around the hickey twice. Then feed the cable through the lock again and tighten it with lock screw.
4. Continue to run safety cable through the top of outlet box and secure it to the ceiling joist.

Crystal Sets

- A. 80Sets. (1)30x400mm
- B. 64Sets. (1)30x300mm
- C. 80Sets. (1)30x200mm

WARNING: This product can expose you to Lead, which is known to the State of California to cause cancer and/or birth defects or reproductive harm. For more information go to www.P65Warnings.ca.gov

CRYSTORAMA



LIGHTING THE WAY FOR SIXTY YEARS

PART NUMBER MODEL #HAY-1409-PN

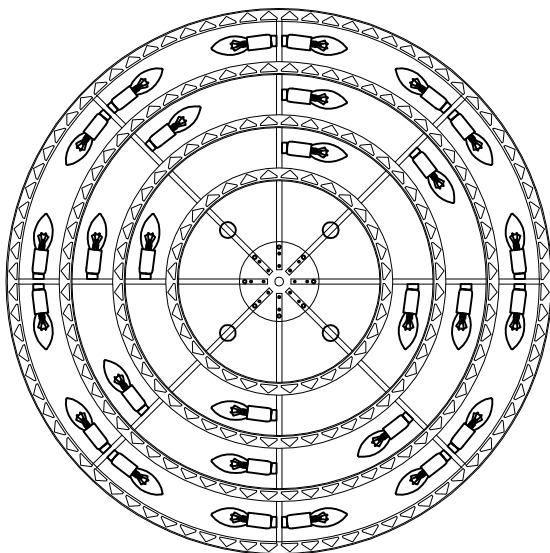
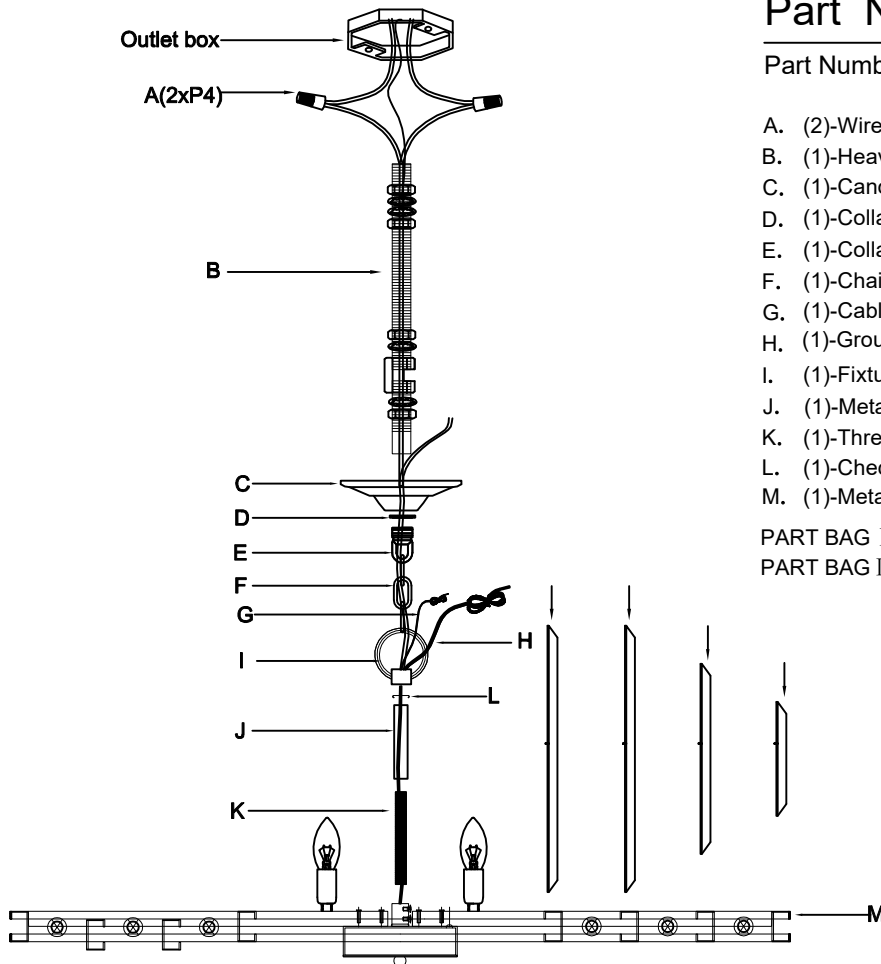
Part Number

Part Numbers

- A. (2)-Wire Connector
- B. (1)-Heavy Duty Mounting Hardware
- C. (1)-Canopy; w5"xh1.25" (XFB1407PNCAN5IN)
- D. (1)-Collar Ring
- E. (1)-Collar Loop
- F. (1)-Chain; 72", 6mm (XFB1409PNCHA6MM)
- G. (1)-Cable Wire
- H. (1)-Ground Wire
- I. (1)-Fixture Loop
- J. (1)-Metal Tube; 10", 25MM thickness (XFB1409PNROD10IN)
- K. (1)-Threaded Pipe; 10", 20MM thickness (XFB1409PNSTEM10IN)
- L. (1)-Check Ring
- M. (1)-Metal Frame

PART BAG I : Includes Parts A

PART BAG II : Includes Parts B,D,E



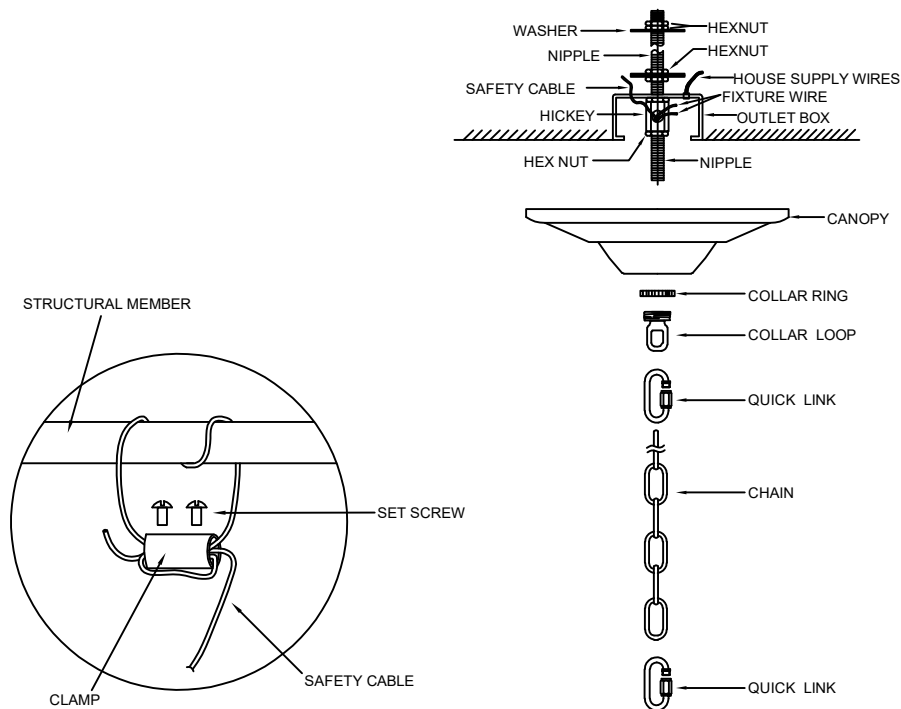
CRYSTORAMA



LIGHTING THE WAY FOR SIXTY YEARS

PART NUMBER MODEL #HAY-1409-PN

SAFETY CABLE INSTALLATION INSTRUCTIONS



IMPORTANT:

FOR A SAFE AND SECURE INSTALLATION, THESE FIXTURES MUST BE INSTALLED BY MEANS OF SUPPORTS THAT ARE INDEPENDENT OF THE OUTLET BOX.

SUGGESTED INSTALLATION:

1. Provide a 1/4 IPS pipe with one end securely mounted to a beam or a structural member. The other end should protrude through the center of the outlet, as shown.
2. Assemble the screw collar loop, nipple, hex nuts and hickey to center 1/4 IPS support pipe and adjust overall length to allow the collar ring to hold the canopy flush to the ceiling. When the adjustments have been completed secure the hex nut, as shown.
3. Use one quick link to connect fixture loop and the bottom of chain. Slide the screw collar ring over the upper end of the chain, through the (Finished side down). Then use another quick link to connect collar loop and the top of chain.
4. Lace the fixture wires, ground wires and safety cable through the chain and screw collar loop, exiting through the side of HICKEY. Proceed to attach the FIXTURE GROUND WIRE to HOUSE GROUND WIRE using wire connector. Using wire connectors, connect the HOUSE WHITE WIRE to the FIXTURE SUPPLY WIRE (WHITE OR RIBBED SIDE); connect the HOUSE BLACK (or RED) WIRE to the FIXTURE SUPPLY WIRE (BLACK or SMOOTH SIDE). Wrap all connectors with approved electrical tape. Wrap safety cable around outlet box brace and pull cable taut. Secure cable with the clamp and (2) set screws provided, as shown.
5. Push the CANOPY upward over the OUTLET BOX. Be sure that all wires are carefully tucked into the OUTLET BOX cavity. Secure canopy against ceiling by threading CANOPY LOCK RING onto the CANOPY LOOP. Tighten until snug.