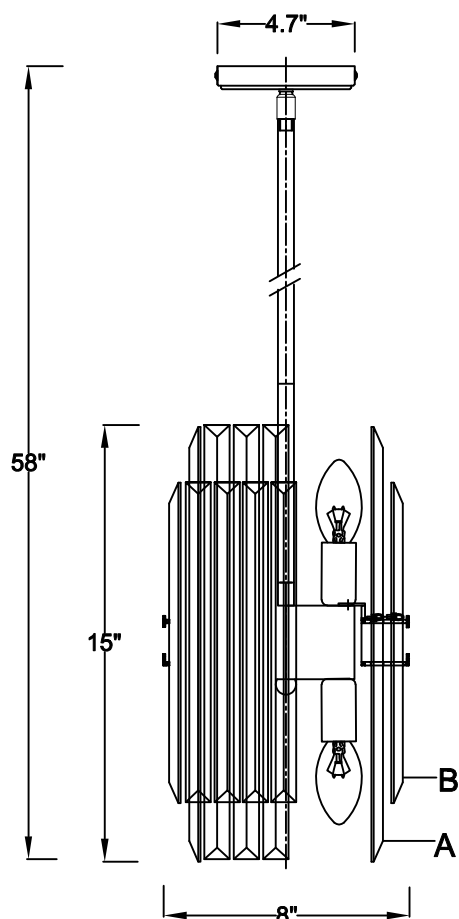


# CRYSTORAMA



LIGHTING THE WAY FOR SIXTY YEARS

## ASSEMBLY INSTRUCTION MODEL #HAY-1401-PN



**All electrical components must be installed by a licensed electrician in accordance with the National Electric Code and the appropriate local electrical codes.**

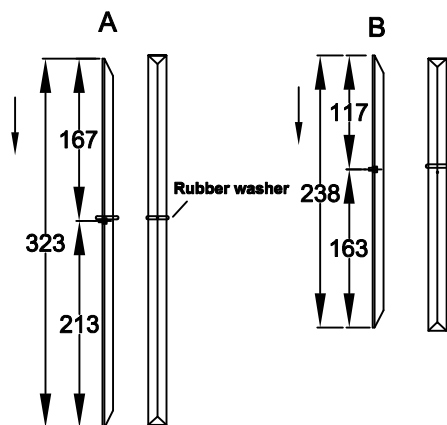


**You will need 4-Candelabra Base Bulb  
40 Watts Recommended 60 Watts Max  
USE LED BULBS FOR EXTENDED USE  
This fixture is Dry rated**

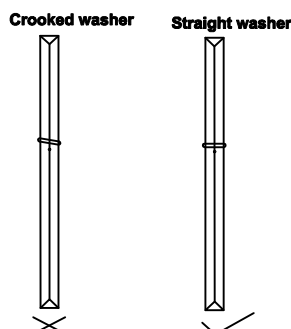
### How to Install

1. Decide the preferred hanging height and choose the correct length of rod needed.
2. Feed the wire through the rods, swivel and canopy and screw them together. Screw the rod assembly onto the top of the frame.
3. Install the mounting plate onto the outlet box.
4. Raise the fixture up onto the ceiling and hook the cable wire onto the mounting plate. Do the wire connections.
5. Install the crystals into the frame and install the bulb into the socket.
6. Raise the whole fixture up over the outlet box and secure the canopy with the screws.

### DETAILED ILLUSTRATION



**Note: Each crystal rod is included with a rubber washer. Please make sure it is straight before inserting it onto the frame.**



**When dressing the crystals, install the crystal so the shorter end faces toward the ceiling.**

**WARNING:** This product can expose you to Lead, which is known to the State of California to cause cancer and/or birth defects or reproductive harm. For more information go to [www.P65Warnings.ca.gov](http://www.P65Warnings.ca.gov)

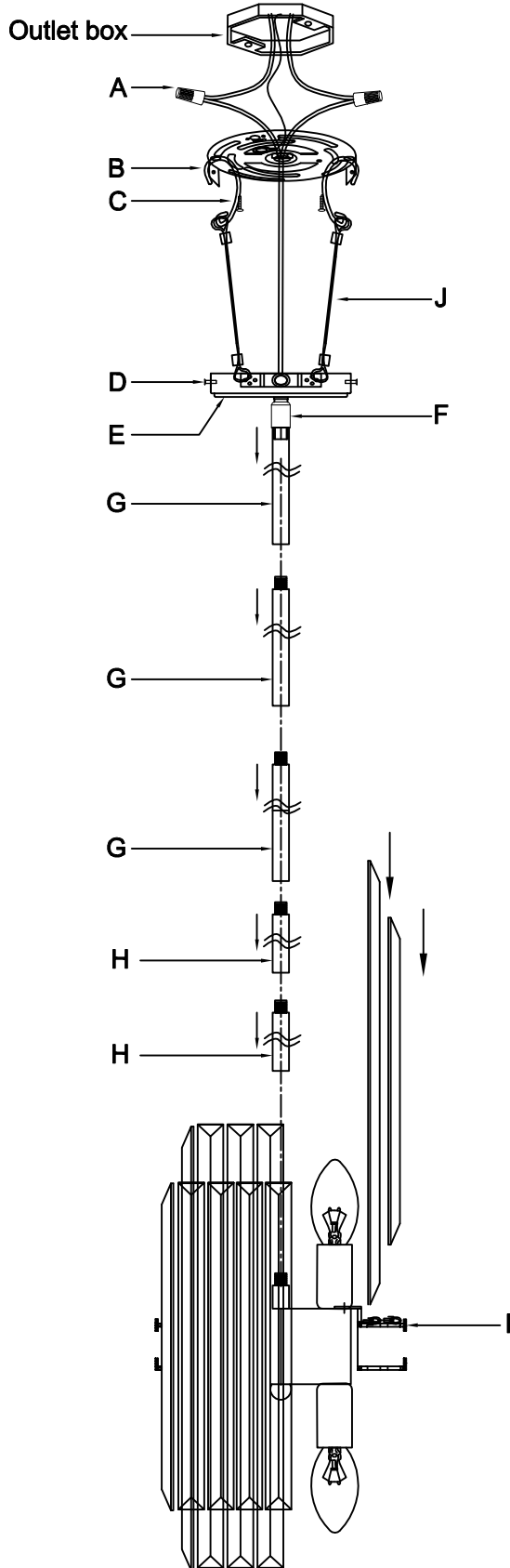
# CRYSTORAMA



Crystorama.com

LIGHTING THE WAY FOR SIXTY YEARS

**PART NUMBER MODEL #HAY-1401-PN**



## Part Number

### Part Numbers

- A. (2)-Wire Connector
- B. (1)-Mounting Plate
- C. (2)-Outlet Box Screws
- D. (2)-Screws
- E. (1)-Canopy; w4.7" x h0.8" (XFB1401PNCAN4.7IN)
- F. (1)-Swivel
- G. (3)-Metal Rod; 12", 14MM (XFB1401PNROD12IN)
- H. (2)-Metal Rod; 6", 14MM (XFB1401PNROD6IN)
- I. (1)-Frame
- J. (2)-Cable wire

PART BAG I : Includes Parts A, C