

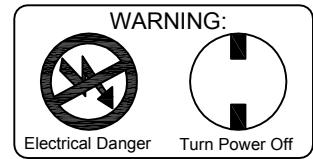
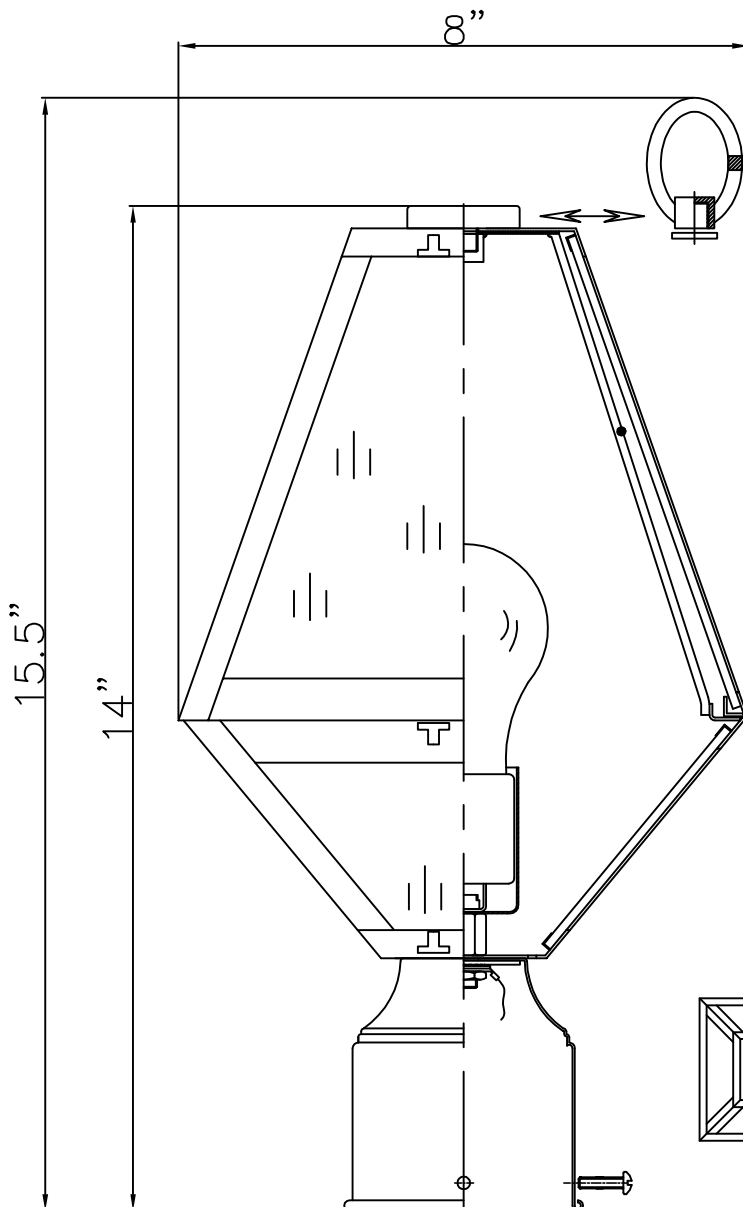
CRYSTORAMA

LIGHTING THE WAY FOR SIXTY YEARS



ASSEMBLY INSTRUCTION MODEL #GLA-9707-OP-BC

Either the loop or the decorative nut can be used on the top.



All electrical components must be installed by a licensed electrician in accordance with the National Electric Code and the appropriate local electrical codes.



You will need 1 - Med.Bulb
40 Watts Recommended
100 Watts Max
USE LED BULBS FOR EXTENDED USE
California T24 JA8-2016 Qualified: Satco (S9612); 10.5 watt LED Medium Base recommended. Bulb not included

How to Install

1. To install glass panels, separate the Bottom Cage and the Top Cage, by removing the Decorative Nut And Rubber washer.
2. Bend glass Clip and slide Glass #1 into the Top Cage and Glass # 2 into the Bottom Cage.
3. Bend glass Clip to secure Glass # 1 and Glass # 2
4. Install the bulb(not included) to the socket.
5. Connect the Bottom Cage and the Top Cage, by screwing in Decorative Nut to secure cage.
6. The Fitter can now be mounted to the Post by screws .
- 7.To replace the top finial. Screw off the Decorative Nut,take down Rubber Washer.Bring the Loop and Rubber Washer From the parts bag .Screw Rubber Washer(11),and the Loop onto top of fixture.

Replacement Glass installation:

- 1 .Follow instructions # 1 through # 3 above to install new glass. Complete by connecting the Bottom Cage and the Top Cage by screwing in Decorative Nut to secure cage.

Bulb replacement:

1. Separate the Bottom Cage and the Top Cage, by removing Decorative Nut.
2. Install the bulb into the socket
3. Complete by connecting the Bottom Cage and the Top Cage by screwing in Decorative Nut to secure cage.

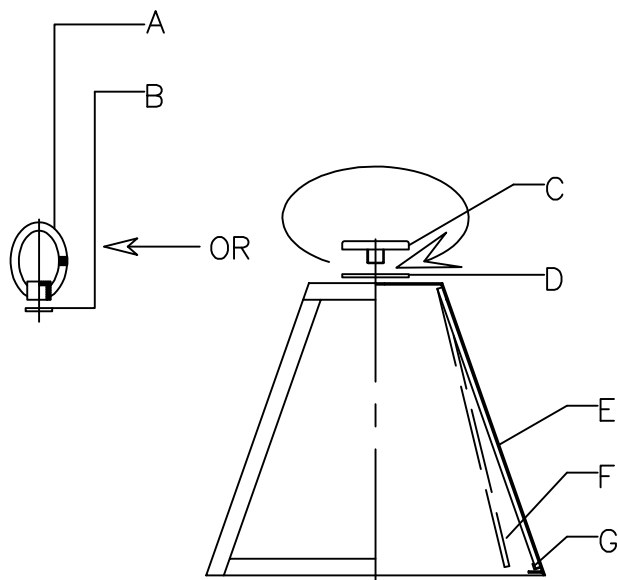


WARNING: This product can expose you to Lead, which is known to the State of California to cause cancer and/or birth defects or reproductive harm. For more information go to www.P65Warnings.ca.gov

CRYSTORAMA

LIGHTING THE WAY FOR SIXTY YEARS

PART NUMBER MODEL #GLA-9707-OP-BC



Part Number

Part Numbers

- A. (1)-Loop; (XNO9707BCLOOP)
- B. (1)-Rubber Washer; $\phi 16\text{mm}$; (XNO9707BCRW16MM)
- C. (1)-Decorative Nut ; (XNO9701BCDECNUT)
- D. (1)-Rubber Washer; $\phi 40\text{mm}$; (XNO9707BCRW40MM)
- E. (1)-Top Cage
- F. (4)-Glass 1; (2.75"+7.5")X7" (XNO9707OPGLA7IN)
- G. (12)-Clip
- H. (1)-Socket
- I. (4)-Glass 2; (2"+7")X4" (XNO9701OPGLA4IN)
- J. (1)-Bottom Cage
- K. (1)-Fitter
- L. (3)-Screws

