

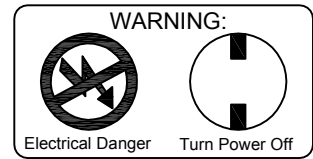
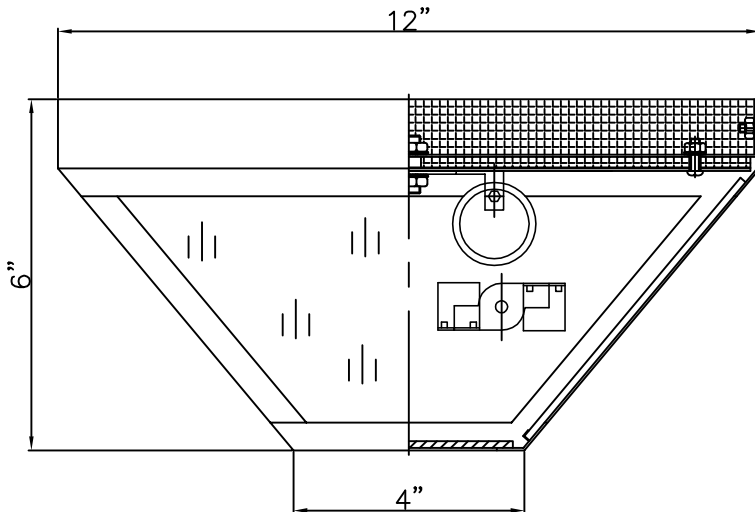
CRYSTORAMA

LIGHTING THE WAY FOR SIXTY YEARS



Crystorama.com

ASSEMBLY INSTRUCTION MODEL #GLA-9703-WT-BC



All electrical components must be installed by a licensed electrician in accordance with the National Electric Code and the appropriate local electrical codes.



You will need 2 - Med.Bulb
40 Watts Recommended
60 Watts Max

USE LED BULBS FOR EXTENDED USE
California T24 JA8-2016 Qualified: Satco
(S9612); 10.5 watt LED Medium Base
recommended. Bulb not included

How to Install

1. To install glass panels, separate the Cage ,by removing the Screw.
2. Bend glass Clip and slide Glass #1 into the Cage and Glass # 2 into the Cage.
3. Bend glass Clip to secure Glass # 1 and Glass # 2
4. Install the bulb(not included) to the socket.
5. Connect the Cage and Canopy together, by securing them with screws at the side.
6. The canopy of the fixture can now be mounted to the ceiling.

Replacement Glass installation:

- 1 .Follow instructions # 1 through # 3 above to install new glass. Connect the Cage and Canopy together, by securing them with screws at the side.

Bulb replacement:

1. Separate the Cage and the Canopy, by removing Screw.
2. Install the bulb into the socket
3. Connect the Cage and Canopy together, by securing them with screws at the side.

After securing fixture to the ceiling it is recommended that the gap between the ceilingl and the canopy be sealed on the top and both sides, with a good quality waterproof caulk or silicone sealant (NOT INCLUDED)



WARNING: This product can expose you to Lead, which is known to the State of California to cause cancer and/or birth defects or reproductive harm. For more information go to www.P65Warnings.ca.gov

CRYSTORAMA

LIGHTING THE WAY FOR SIXTY YEARS

PART NUMBER MODEL #GLA-9703-WT-BC

Part Number

Part Numbers

- A. (1)—Mounting hardware
- B. (1)—Canopy; W12"XH1"; (XNO9703BCCAN12IN)
- C. (2)—Ball Nut ;(XNO9701BCBANUT)
- D. (2)—Socket
- E. (2)—Screw
- F. (12)—Clip
- G. (4)—Glass 1; (3.75"+11")X5.75" (XNO9703WTGLA5.75IN)
- H. (1)—Cage
- I. (1)—Glass 2; 3.75"X3.75" (XNO9703WTGLA3.75IN)

