

CRYSTORAMA

LIGHTING THE WAY FOR SIXTY YEARS



Crystorama.com

ASSEMBLY INSTRUCTION MODEL #FAR-6000-AG

WARNING



Electrical Danger



Turn Power Off

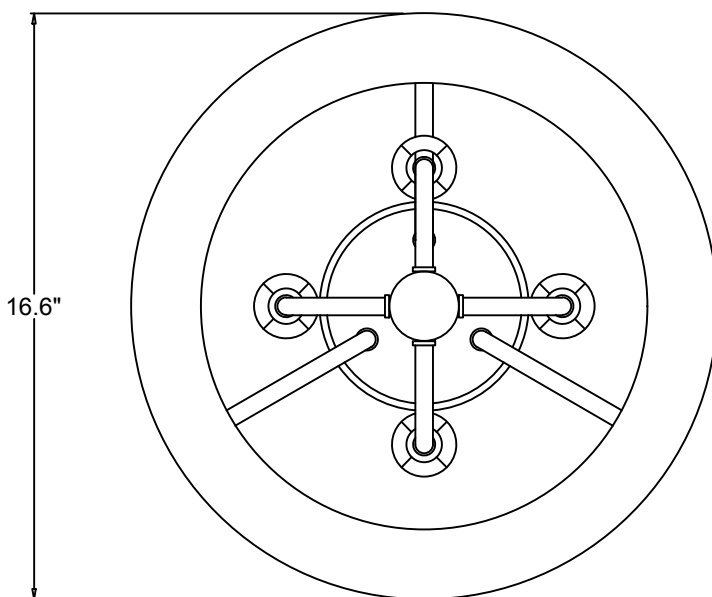
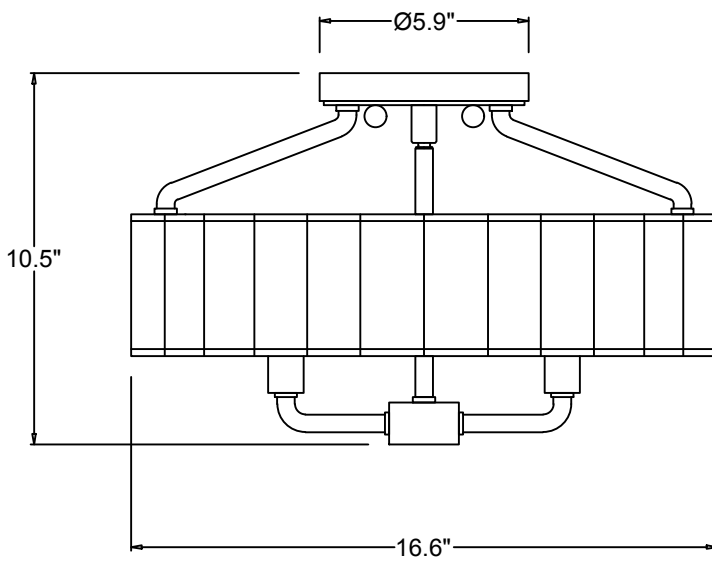
All electrical components must be installed by a licensed electrician in accordance with the National Electric Code and the appropriate local electrical codes.



You will need 4-Cand Bulb
40 Watts Recommended 60 Watts Max
Bulb not included
USE LED BULBS FOR EXTENDED USE
This fixture is DRY rated

How to Install

1. Install the mounting plate onto the outlet box.
2. Hook the frame onto the mounting plate using the safety cable attached onto the canopy.
3. Insert the glass rod into the slots on the frame.
4. Do the wire connection and raise the frame up over the outlet box and secure it with the ball nuts.
5. Install the bulb onto the socket.



WARNING: This product can expose you to Lead, which is known to the State of California to cause cancer and/or birth defects or reproductive harm. For more information go to www.P65Warnings.ca.gov

CRYSTORAMA

LIGHTING THE WAY FOR SIXTY YEARS



Crystorama.com

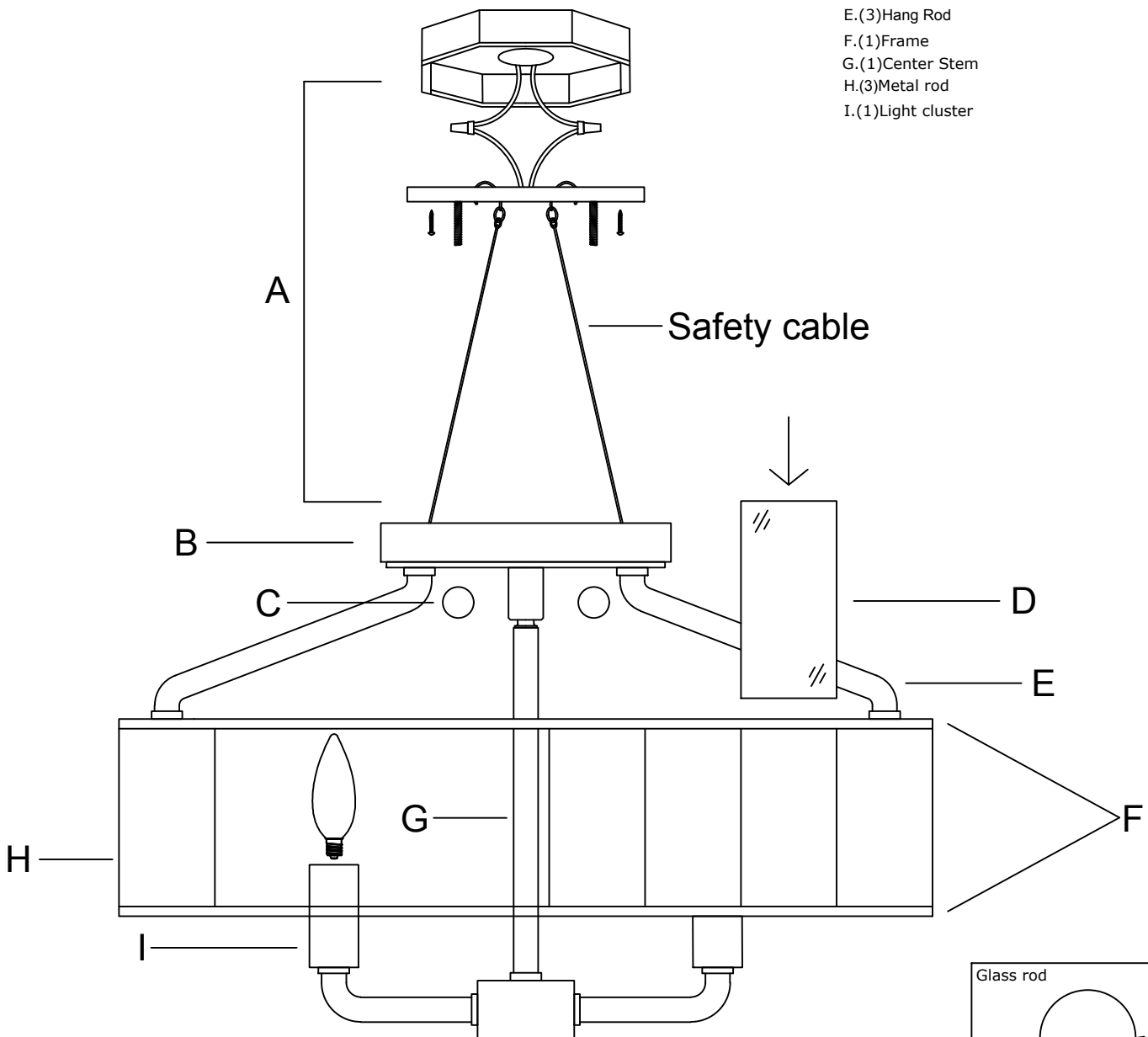
PART NUMBER MODEL #FAR-6000-AG

Part Number

Part Numbers

- A. Mounting Hardware
 - (2) Wire Nut
 - (2) Outlet Box Screws
 - (2) Machine screw
 - (1) Mounting Plate
- B. (1) Canopy; $\varnothing 5.9" \times 0.9" h$; XMO6000AGCAN5.9IN
- C. (2) Ball nut; XMO6000AGBANUT
- D. (24) Glass rod; $1.5" W \times 4" H$; XMO6000GLAROD4IN
- E. (3) Hang Rod
- F. (1) Frame
- G. (1) Center Stem
- H. (3) Metal rod
- I. (1) Light cluster

Outlet box



Glass rod

